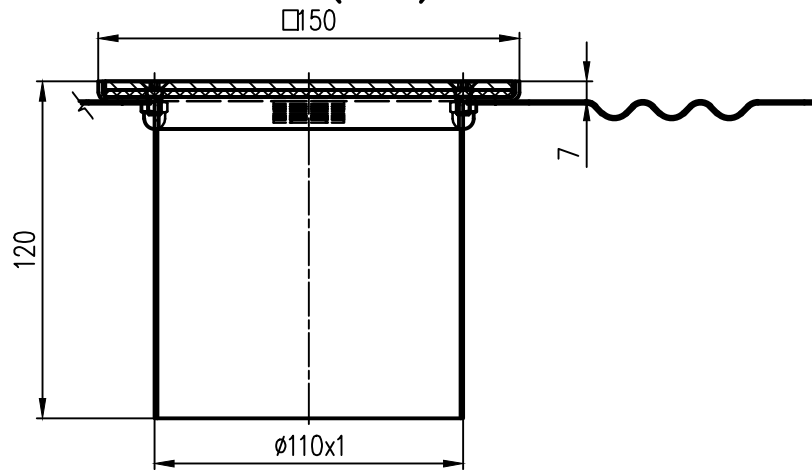
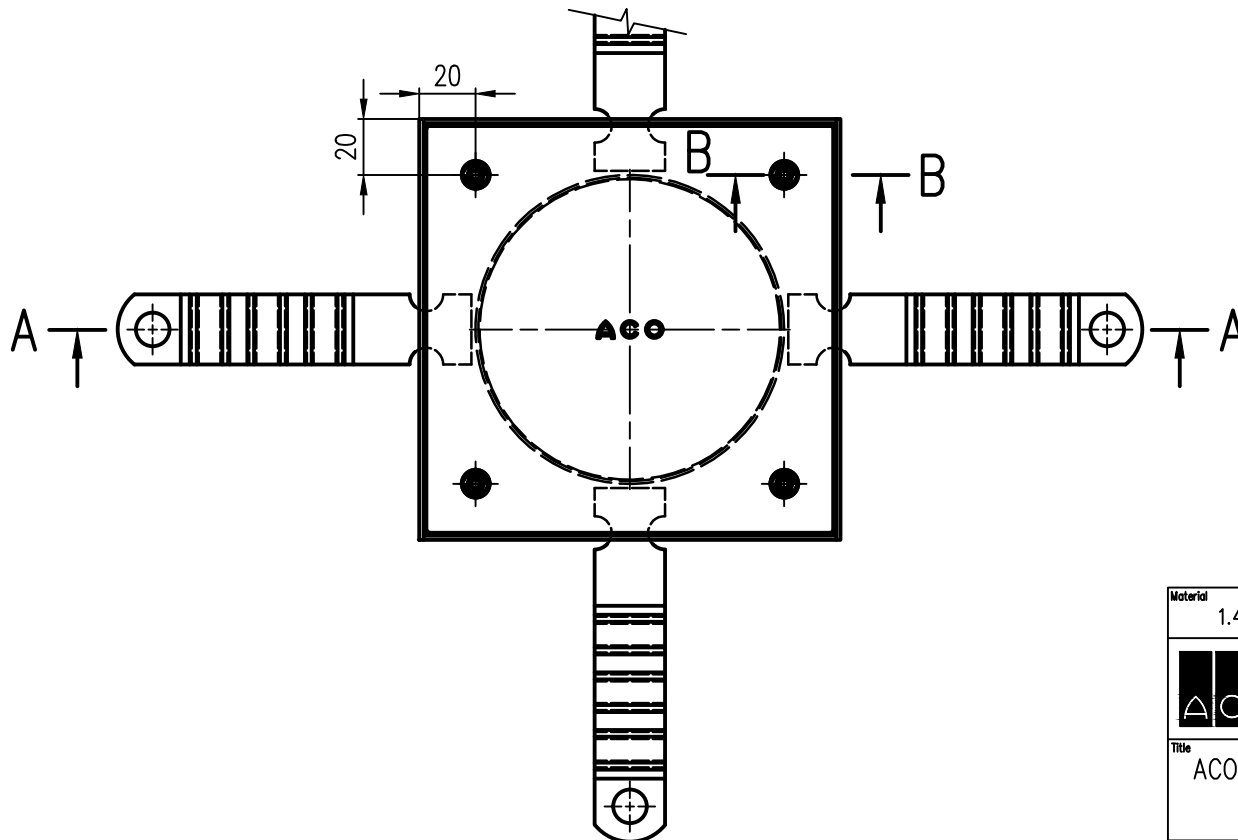
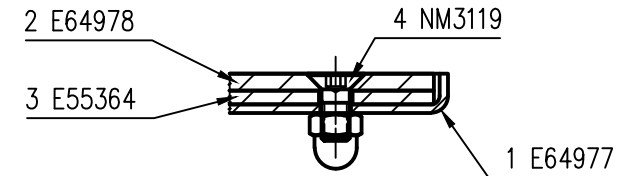

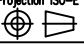


A-A M(1:2)



B-B M(1:1)



Material 1.4301	Tolerance ISO 2768 - 1m - 2L	Tolerance for welding EN ISO 13920 - A		Mass kg	
 ACO Industries k.s. Havlíčková 260 582 22 Pílyslav, CZ Tel.: +420 589 491 111 www.aco.com www.aco-industries.cz	Drawing NO. 414596	Index	Article 414596_L	Surface finish Broušeno/Brushed	
	Created by jstransky	Reviewed by		Projection ISO-E 	
Title ACO gully EG 150 gully top 150x150-7 H120					
The reproduction, distribution and utilization of this document as well as the communication of its contents to others without express authorization is prohibited. Offenders will be held liable for the payment of damages. All rights reserved in the event of the grant of a patent, utility model or design. Observe copyright by ISO 16016				Created date 09.04.2019	Release date
				A3	