

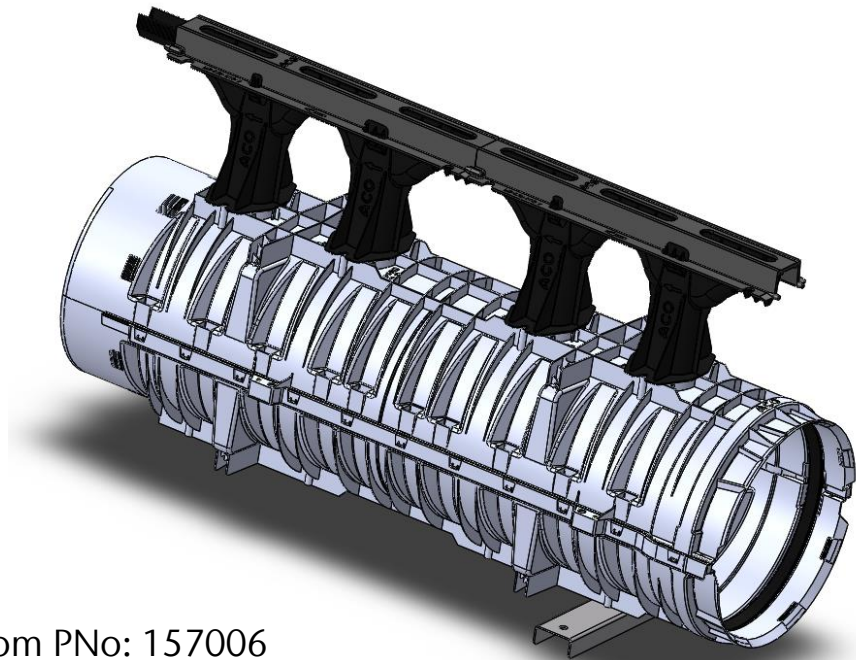
ACO. creating

the future of drainage

Assembly Qmax Neo, 11.08.2020

Arne Meincke





How to assemble

From PNo: 157006

To PNo: 157009

Qmax Neo 300 Step by Step

Assembly Qmax Neo, 11.08.2020

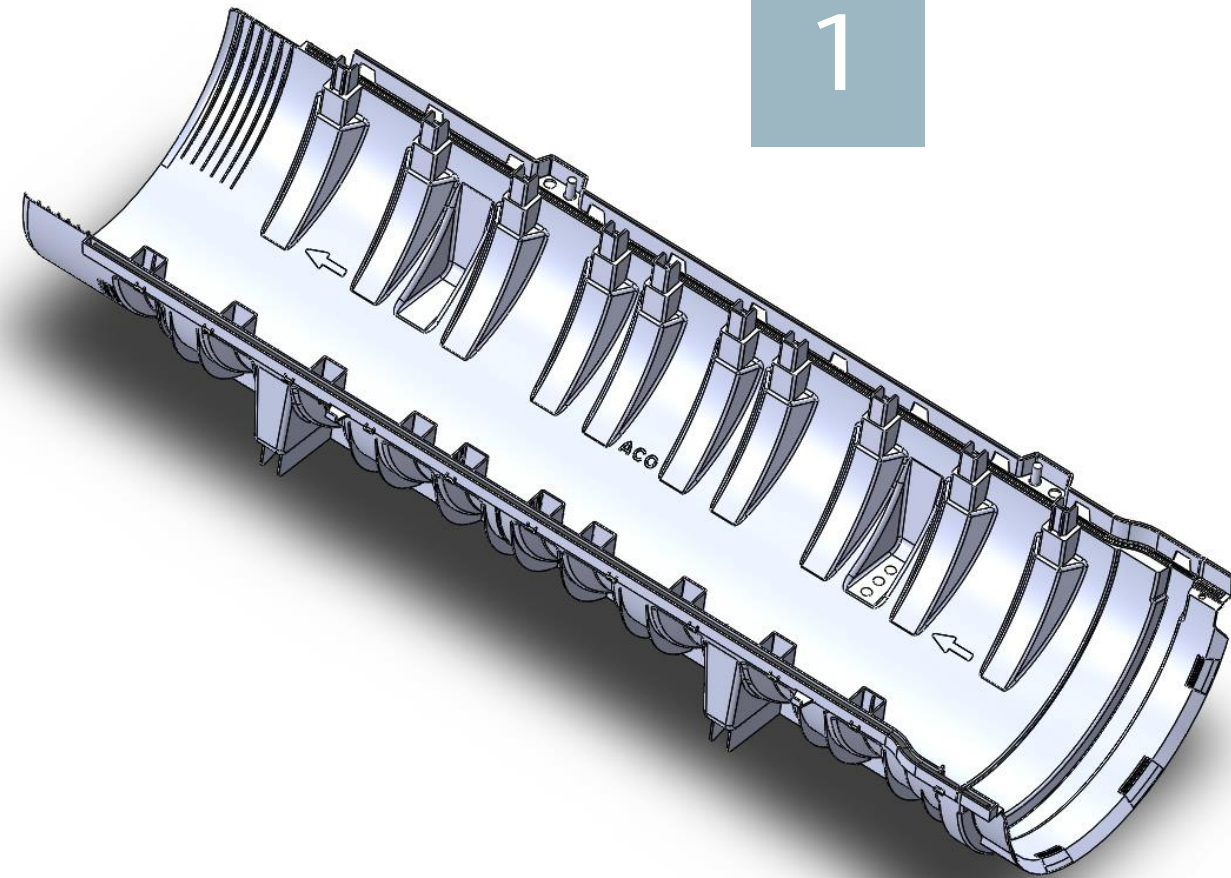
Arne Meincke



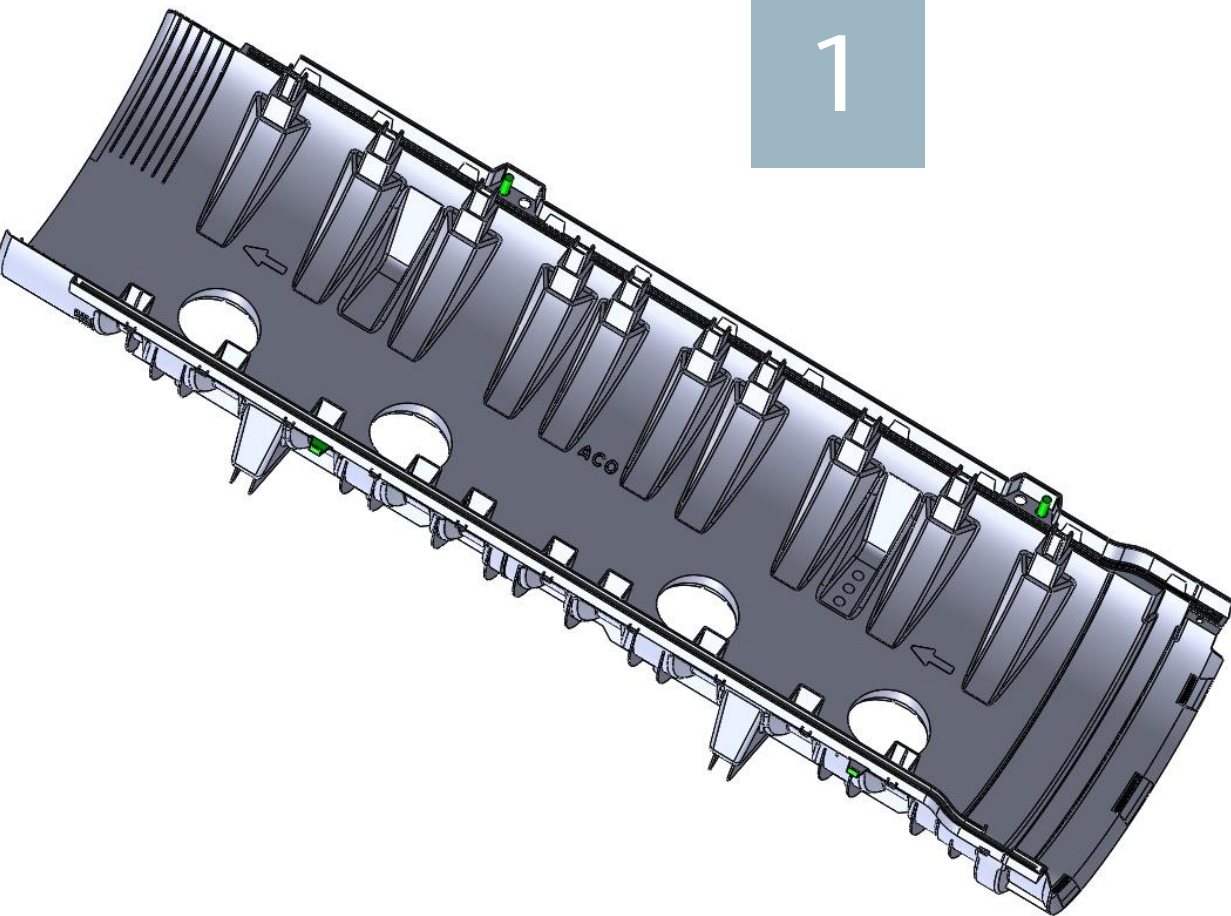
1

Main Body

Bottom half
PNo: 157401



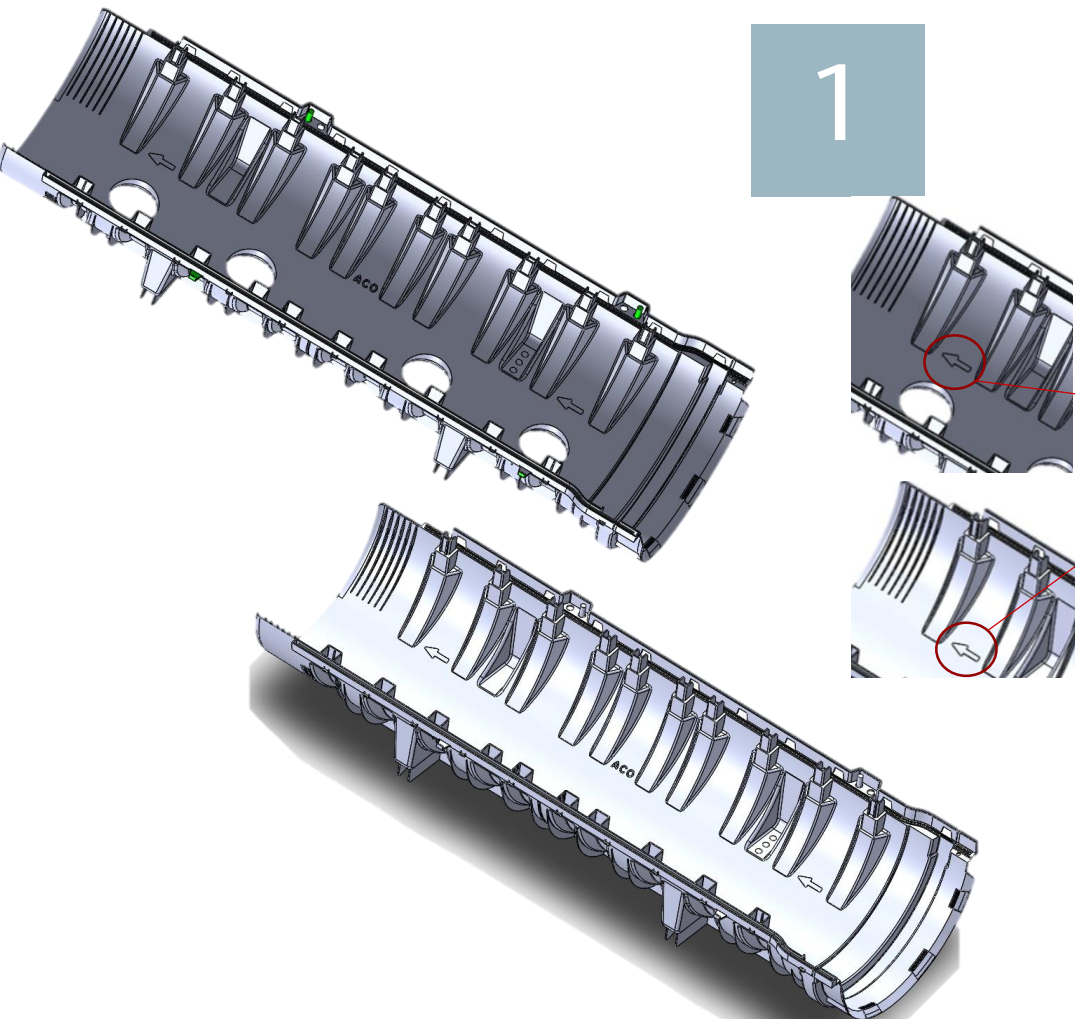
1



Main Body

Upper half
PNo: 157402

1



Main Body

Before joining
Mind the flow direction

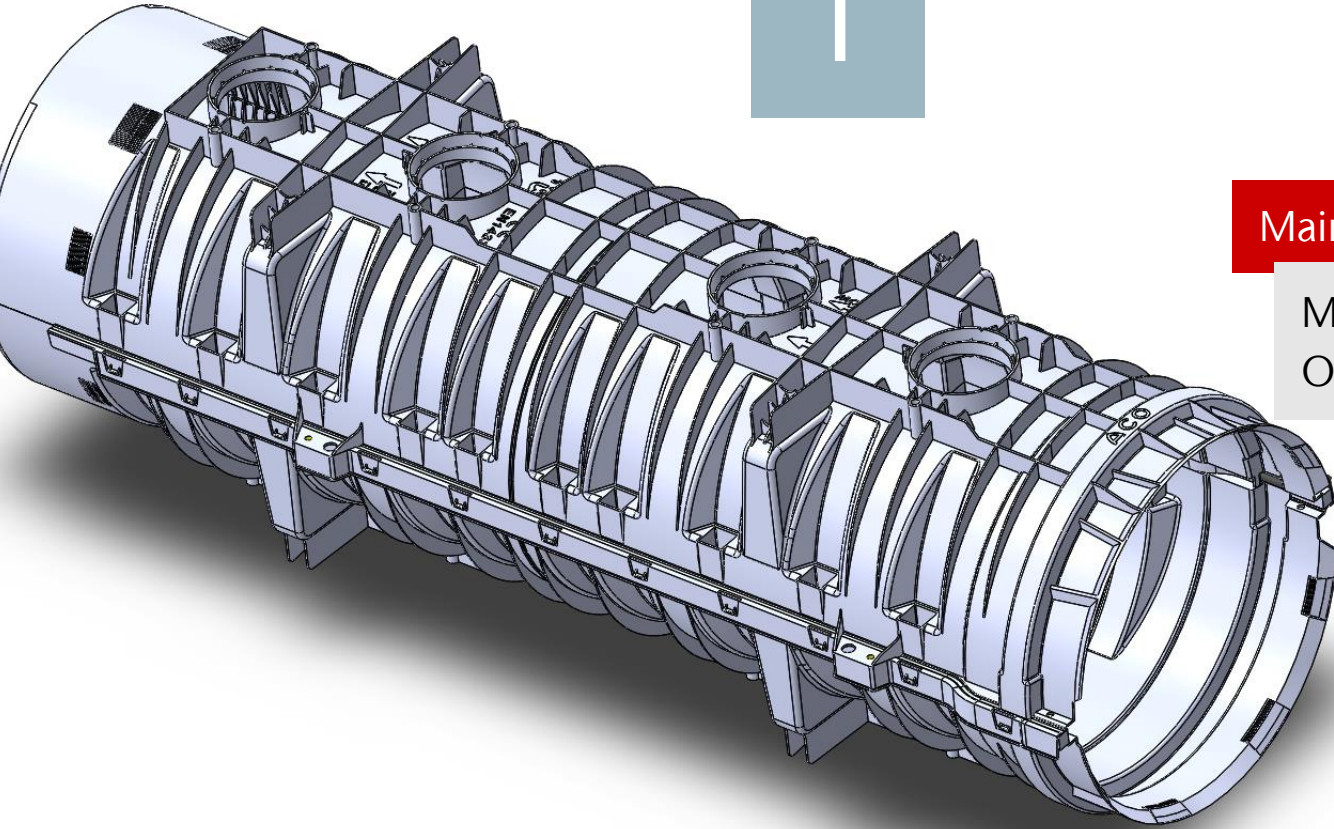
1

Main Body

While joining
Mind the clip snaps

Press on both sides separately down

1



Main Body

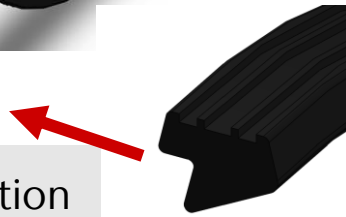
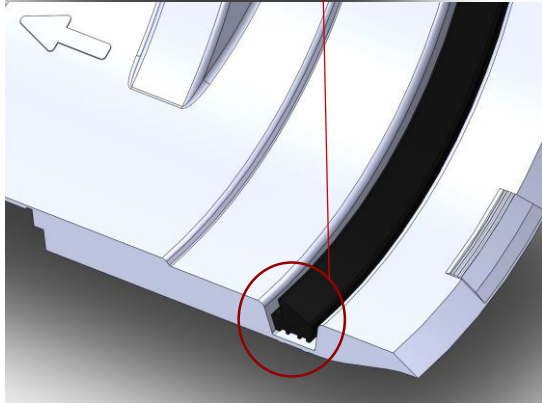
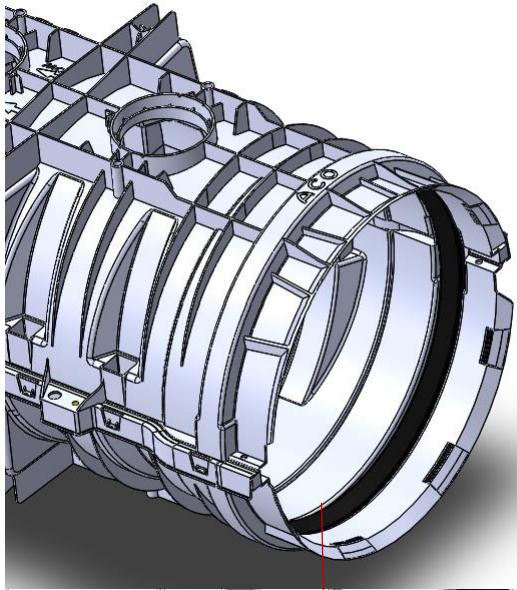
Make sure all clips
On both sides have snapped

2



Installing seal ring

Mind the lip
direction
PNo: 157404

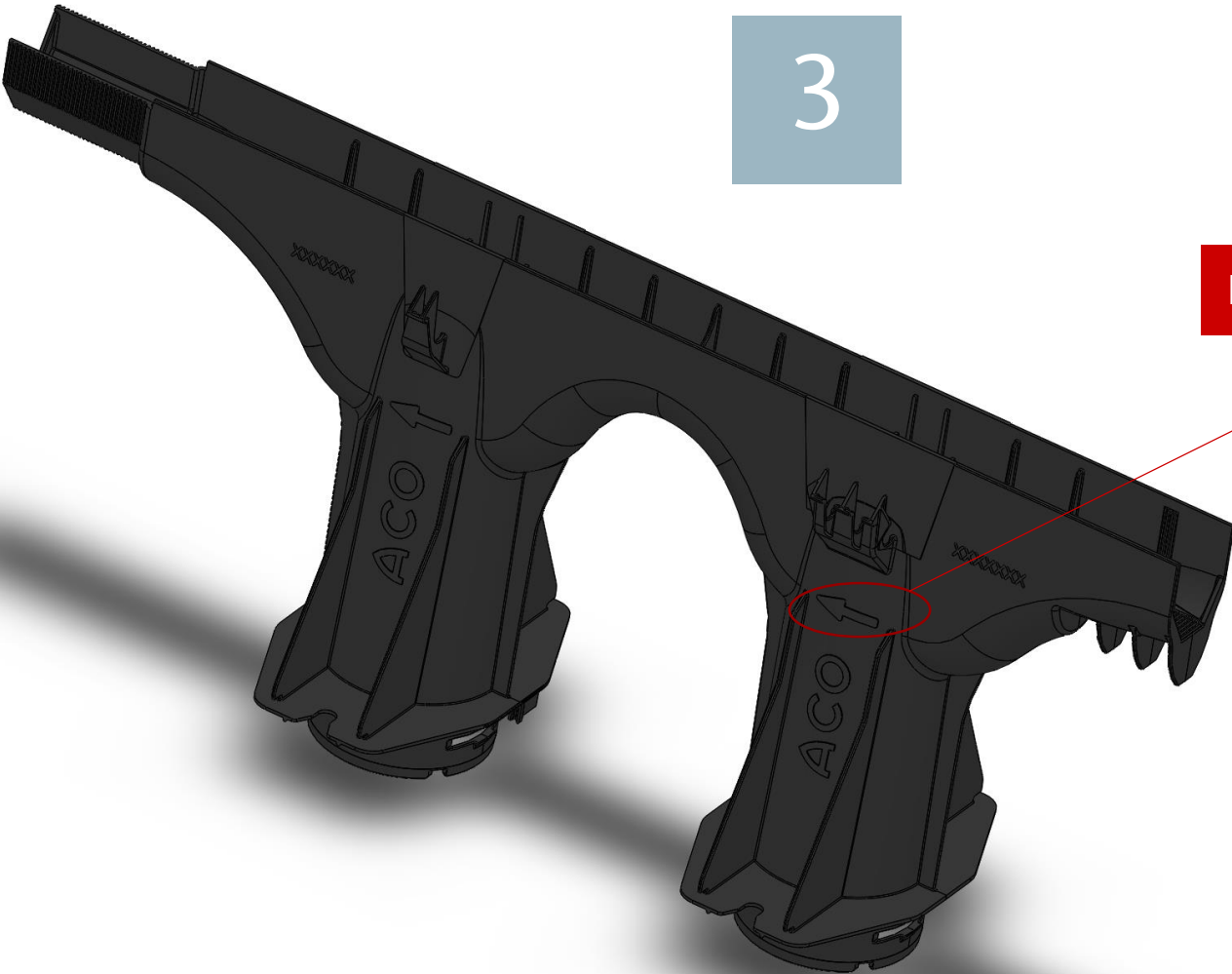


Flow direction

3

Installing Inlet

Mind the flow
direction
PNo: 157005



3.1

Installing Inlet

Mind the flow direction
PNo: 157005

Make sure clip
(click) sound comes

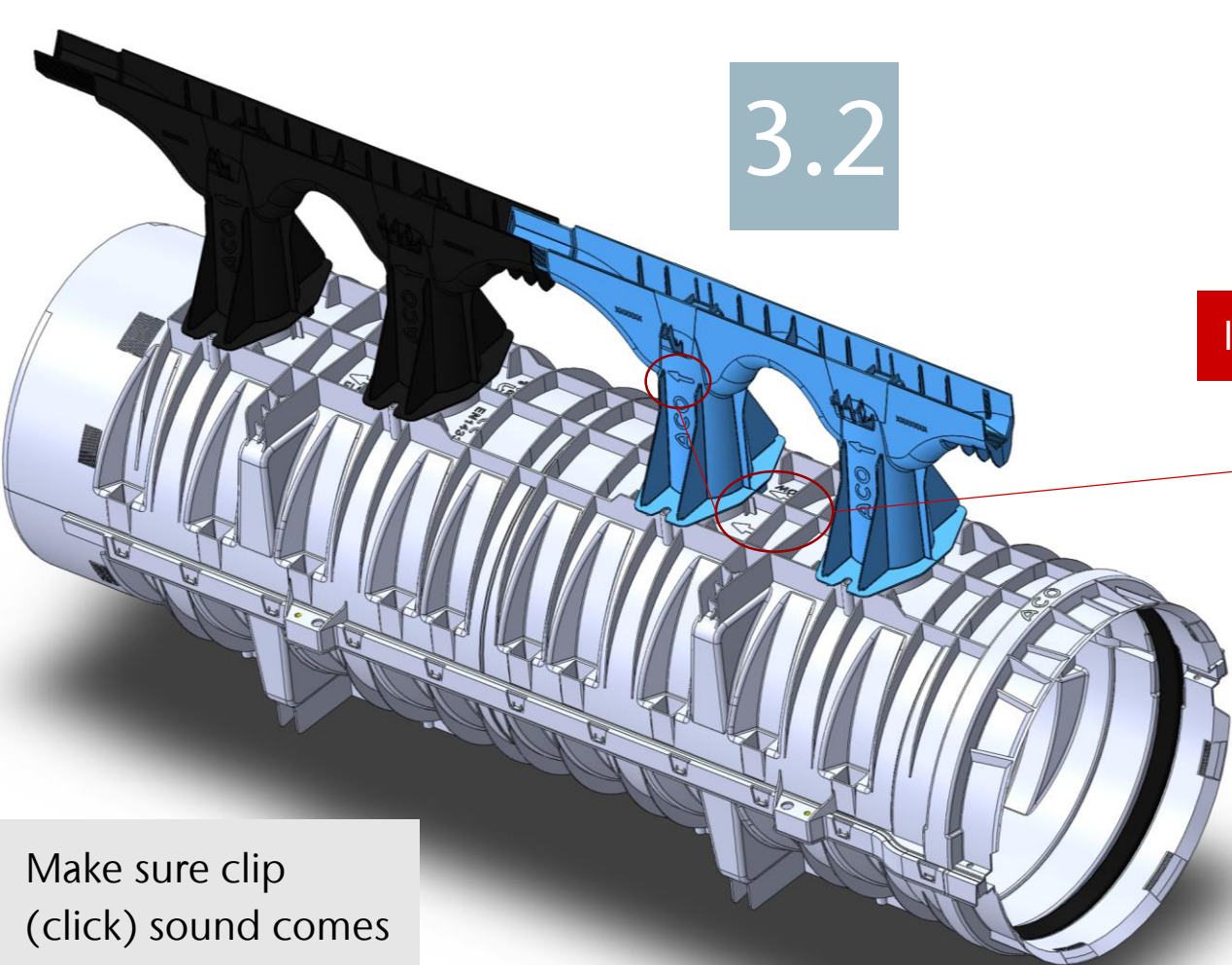
Note: High force and parts break off → you have assembled against flow direction

3.2

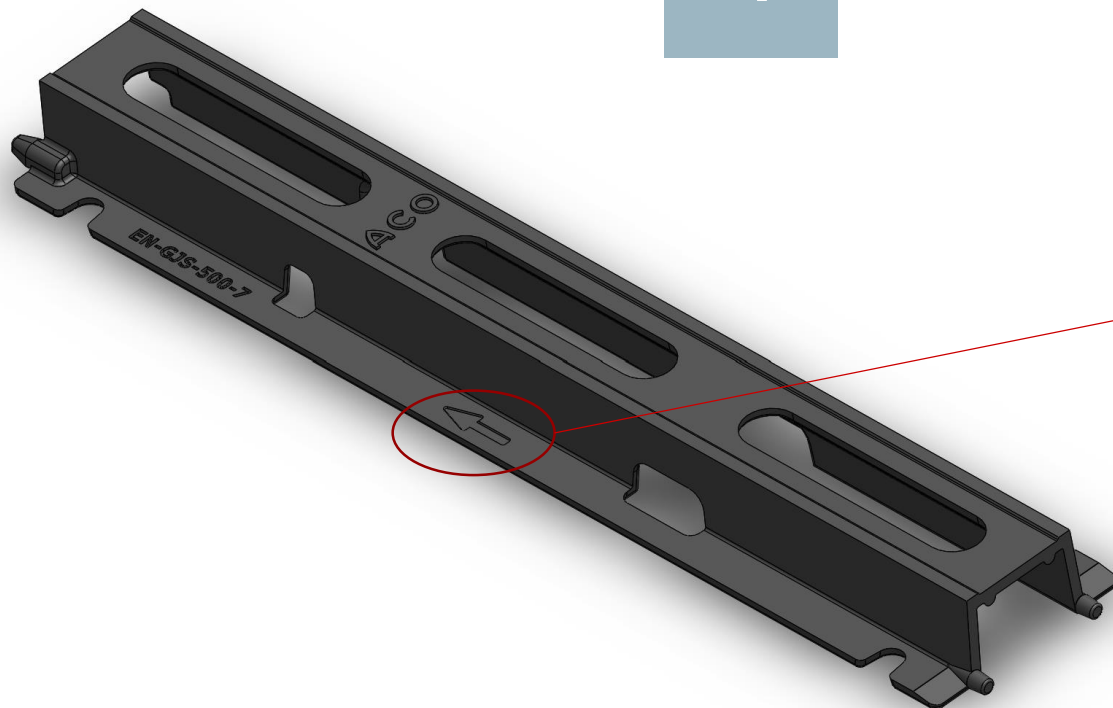
Installing Inlet

Mind the flow
direction
PNo: 157005

Make sure clip
(click) sound comes



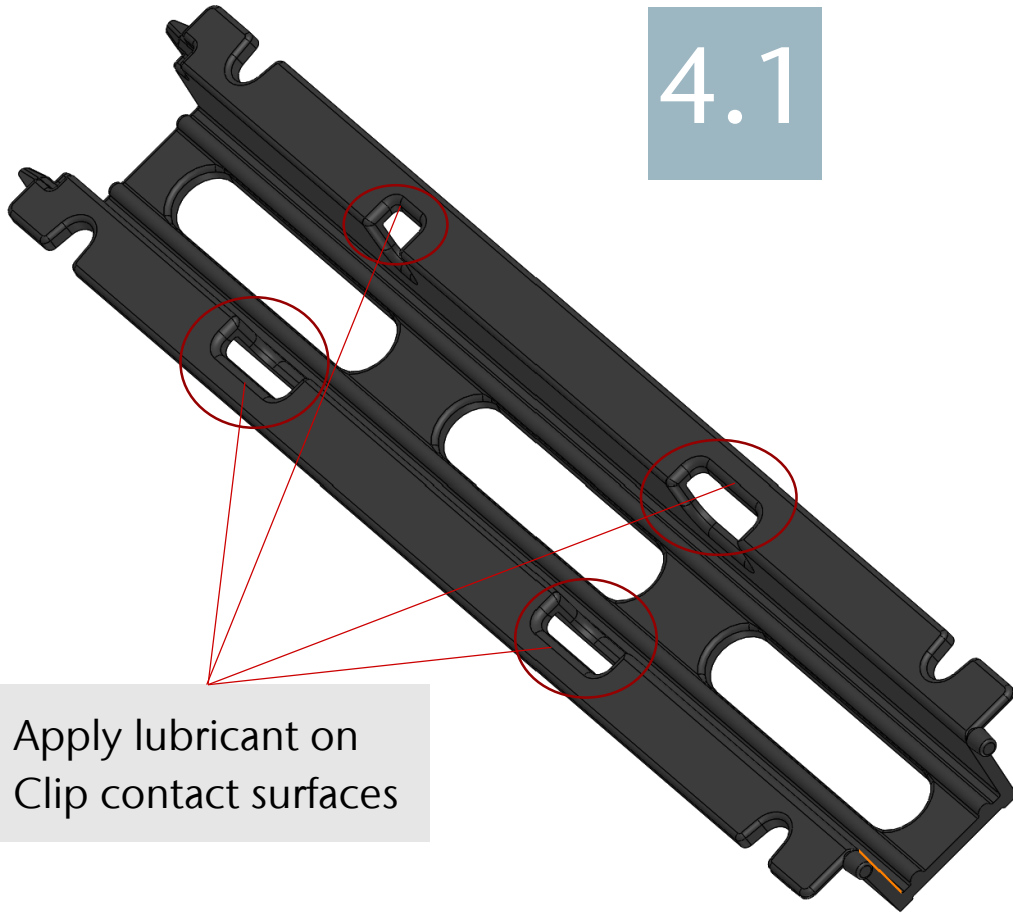
4



Installing Cast Iron Rail

Mind the flow
direction
PNo: 157411

4.1



Apply lubricant on
Clip contact surfaces

Installing Cast Iron Rail

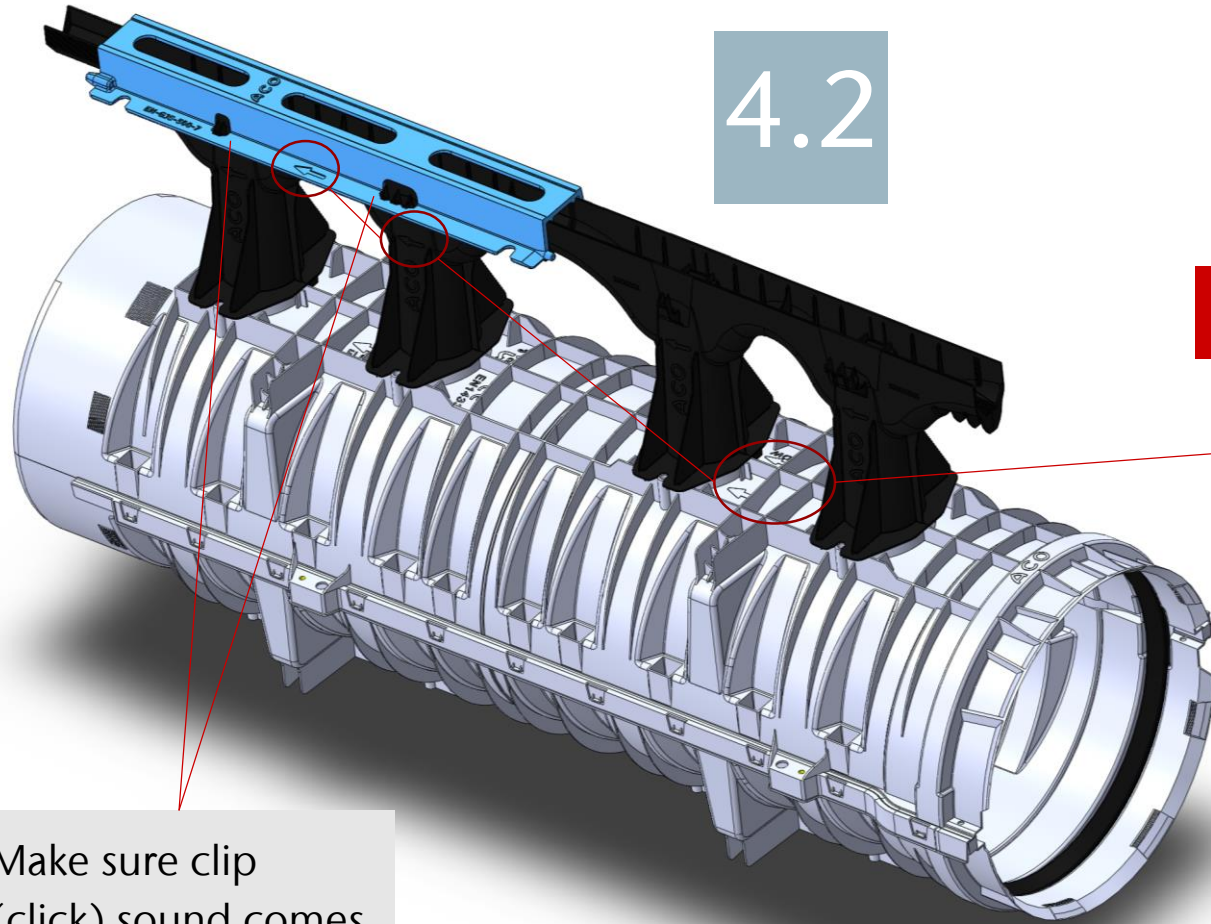
Preparation
PNo: 157411

4.2

Make sure rail is installed
pure vertical
and all 4 clips at once

Installing Cast Iron Rail

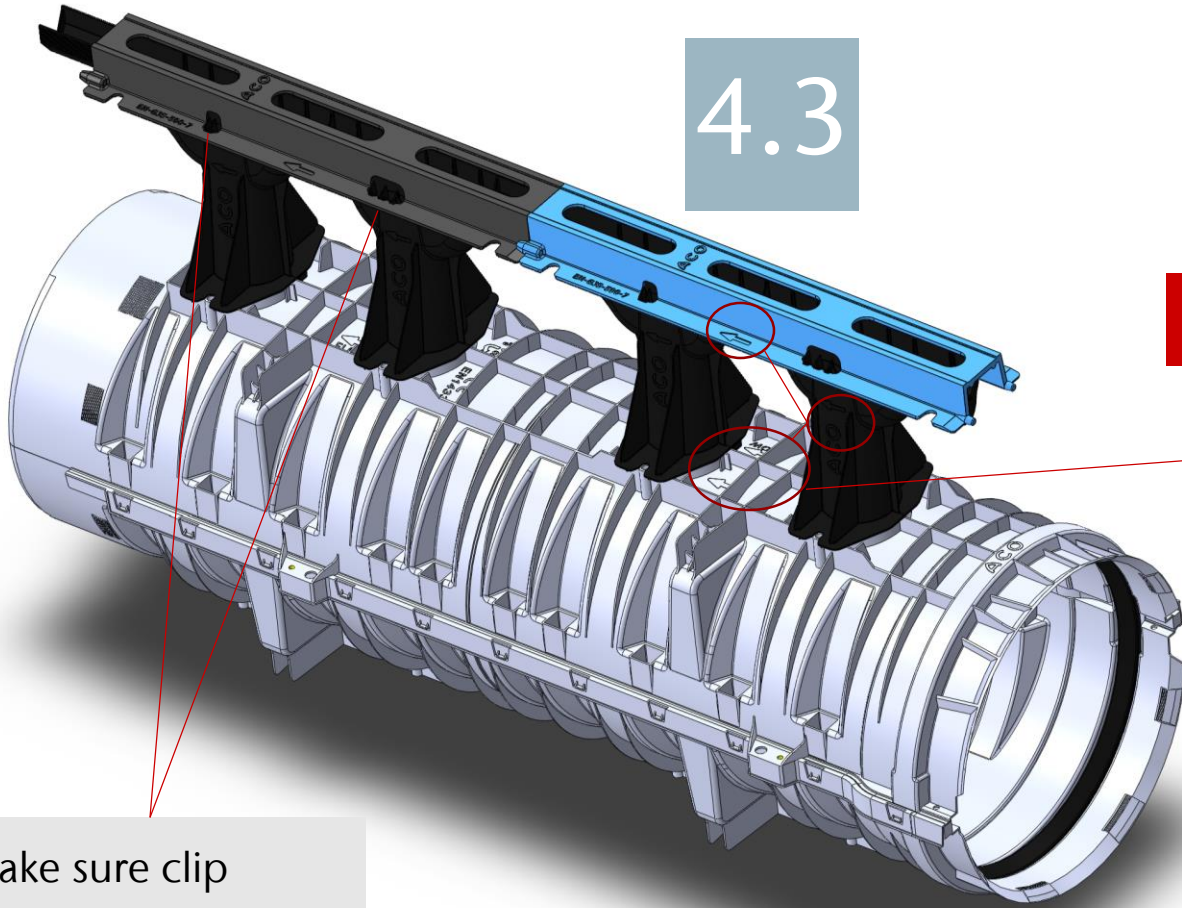
Mind the flow
direction
PNo: 157411



Make sure clip
(click) sound comes

Note: High force and parts break off → use more lubricant; watch out for pure vertical

4.3



Make sure rail is installed
pure vertical
and all 4 clips at once

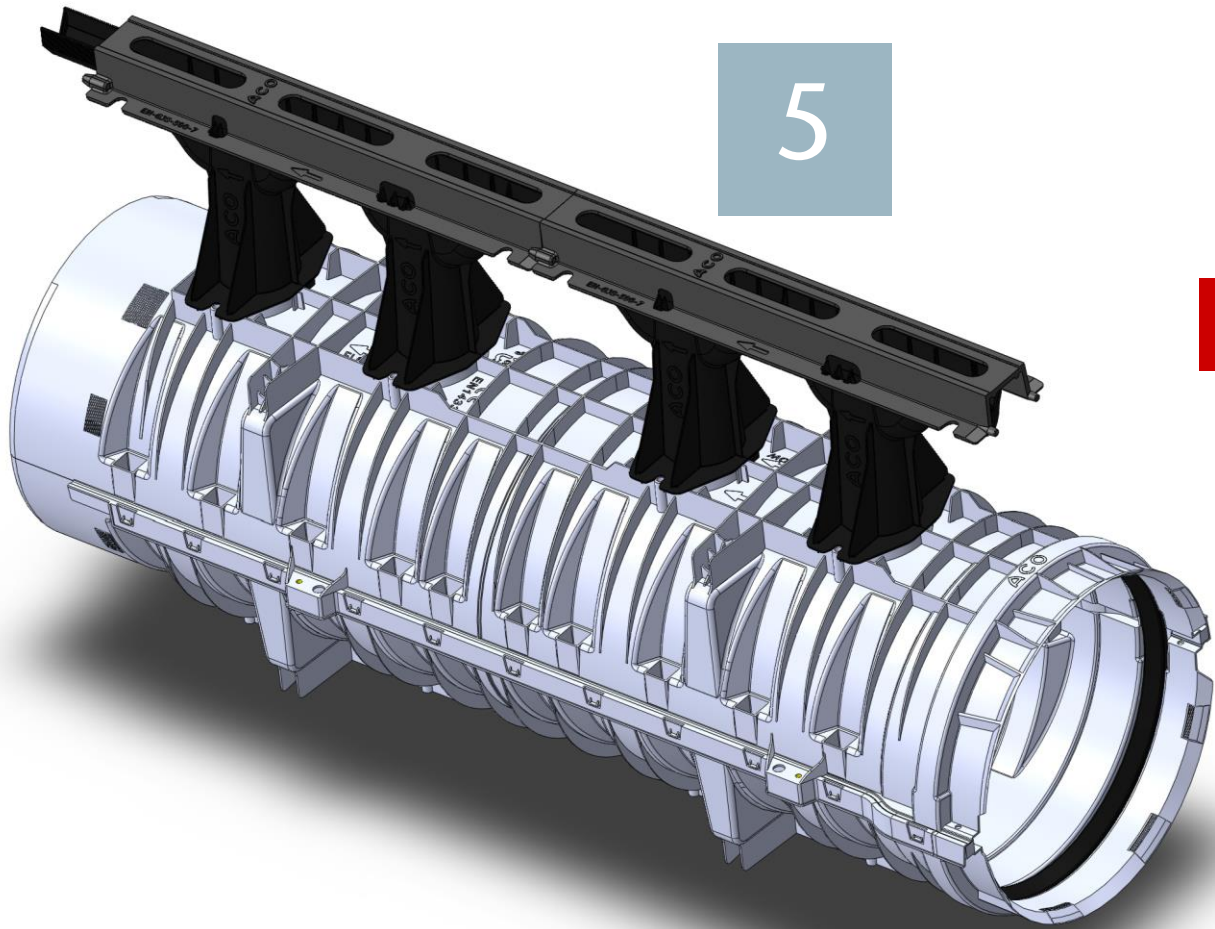
Installing Cast Iron Rail

Mind the flow
direction
PNo: 157411

Make sure clip
(click) sound comes

Note: High force and parts break off → use more lubricant; watch out for pure vertical

5



Part ready

PNo: 157009

**ACO. creating
the future of drainage**

