

Introduction

ACO slot channel portfolio

The ACO slot channel range covers channels for all common applications and all common floor types (concrete, tiles, resin or vinyl). Selecting a channel from the range is easy. The unique variability of the whole portfolio allows choosing the right channel according to all customers' needs.

Channel's length, depth and outlet position are just a few of the parameters which can be varied and, regardless of the variations specified, there is no impact on delivery lead times.

ACO slot channel ordering

The dimensions of the ACO slot channel can be easily specified in respect of project requirements. To specify the channel please use the Customization template (see page 111) which will help you to identify the information needed or contact our Sales/Technical department.

ACO slot channel customization

In addition all ACO slot channel can be designed with:

- Special outlet position
- Special depth
- Special slope
- Special slot channel width
- L-shape and T-shape layout
- Special side inlets

To request customised ACO slot channel, please contact our Sales/technical department.

ACO slot channel system overview

ACO slot channel - fixed height solution



ACO slot channel - telescopic solution



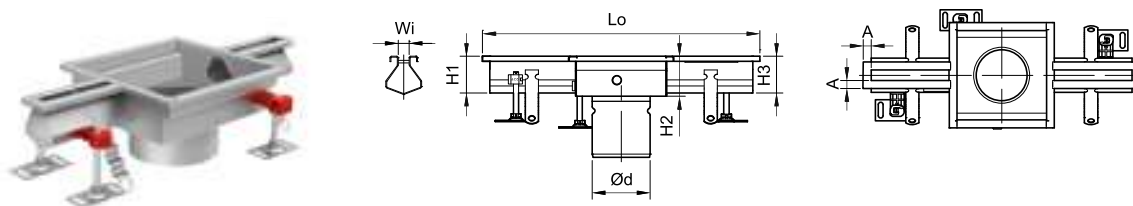
ACO slot channel - semi-standard

Product information

The dimensions of the ACO slot channel for concrete, tiles and resin floor can be easily specified in respect of project requirements.

- Tested and certified according to EN 1253
- Available in 1.4301 (304) or 1.4404 (316L) grades of stainless steel, pickled and passivated
- 1.5 mm material thickness
- ACO slot channel 8 or 20 mm
- Length – up to customer request
- Longitudinal slopes of the channel bottom 1-5 %
- Standardized widths
- Outlet position central or variable in longitudinal axis
- Adjustable EasyFix levelling feet
- Anchors for fixing in concrete
- Protective cover available.
See page 224 for more details

Order information



External (overall) width Wi [mm]	Dimension of edge A [mm]	Length of channel Lo	Height at outlet of channel H2	Height at end of channel H1 and H3
20	15	Variable *	50-200	50-200
8	folded		50-200	50-200

* The maximum transportable length of channel is 6 000 mm. Long channels over 6 000 mm are standardly divided in 6 m sections with transport joins.

ACO customized slot channel

Product information

The dimensions of the ACO customized slot channel for concrete, tiles and resin floor can be easily specified in respect of project requirements.

- Tested and certified according to EN 1253
- Available in 1.4301 (304) or 1.4404 (316L) grades of stainless steel, pickled and passivated
- 1.5 mm material thickness
- Slot of channel 8 or 20
- Length – up to customer request
- Longitudinal slopes of the channel bottom 1-5 %
- Outlet position central or variable in longitudinal axis
- Adjustable EasyFix levelling feet
- Anchors for fixing in concrete
- Protective covers available for gully tops. See page 224 for more details

Instructions

- Please define channel design by filling out required entry fields
- For technical support, please contact customerservice@aco.cz
- For Industrial Drainage information, visit ACO Building Drainage web

Hygienic design principles don't apply to slot channels.

Step 1 - Material

Stainless steel grade 1.4301 (AISI 304)

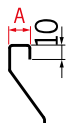
Stainless steel grade 1.4404 (AISI 316L)

Step 2 - Edge profile



Detail of the Edge profile

Standard edge



Edge infill type

Rubber edge infill

Steel edge infill

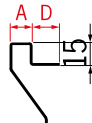
No edge infill

Edge width (A)

15 mm

25 mm

Extended edge



Edge infill type

Rubber edge infill

Steel edge infill

No edge infill

Edge width (A)

15 mm

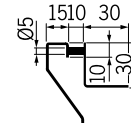
25 mm

Flange length (D)

50 mm

Custom: mm

L-profile edge



Edge infill type

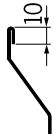
Rubber edge infill

Steel edge infill

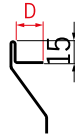
No edge infill

Step 2 - Edge profile

Folded edge



Folded edge with flange



Flange length (D)

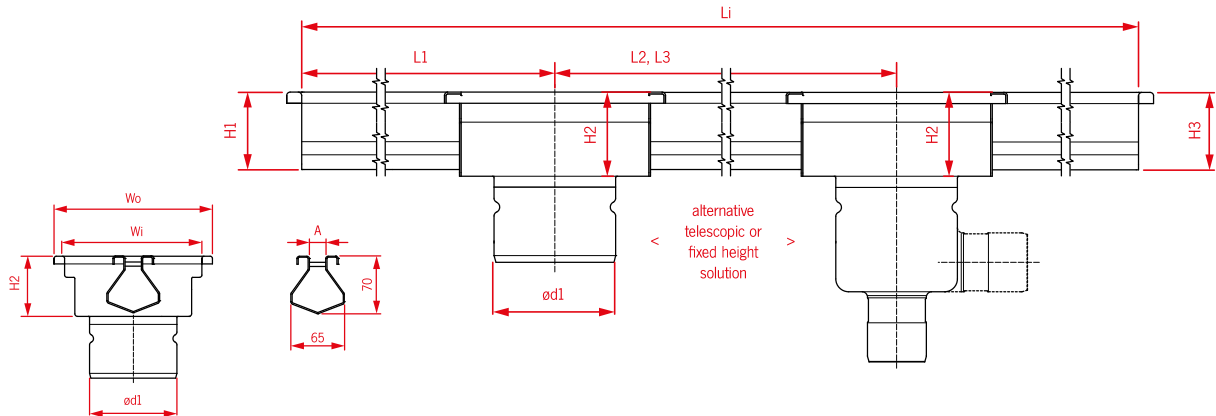
50 mm

Custom: mm

Vinyl edge



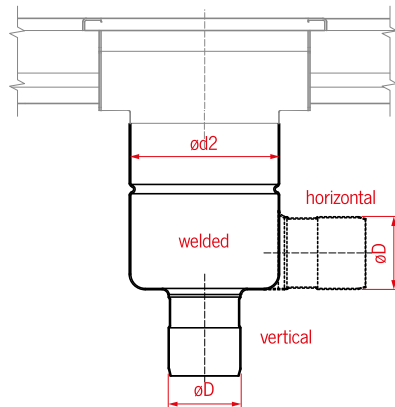
Step 3 - Channel dimensions



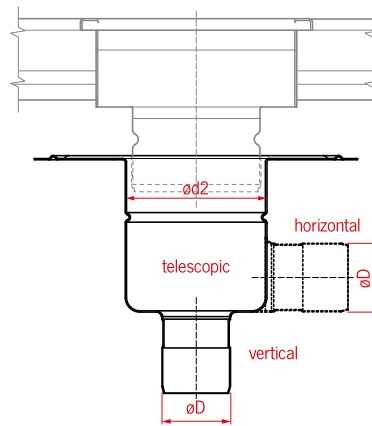
Gully top dimensions Gully top (Wo) / Outlet (ød1)	Slot width (A)	Channel height at outlet (H2)	Channel Length (Li)
<input type="checkbox"/> 200 x 200 mm / 75 mm (valid for edge width 15 mm)	<input type="checkbox"/> 8 mm	<input type="text"/> mm	<input type="text"/> mm
<input type="checkbox"/> 200 x 200 mm / 110 mm (valid for edge width 15 mm)	<input type="checkbox"/> 20 mm	Slope <input type="checkbox"/> No <input type="checkbox"/> Yes - 1% <input type="checkbox"/> Yes - height defined (If you require values below 50 mm, please contact technical support) H1: <input type="text"/> mm H3: <input type="text"/> mm	Number of outlets and their spacing (L1, L2, L3, L4) L1: <input type="text"/> mm L2: <input type="text"/> mm L3: <input type="text"/> mm L4: <input type="text"/> mm For higher number of outlets, please contact technical support
<input type="checkbox"/> 200 x 200 mm / 125 mm (valid for edge width 15 mm)			
<input type="checkbox"/> 250 x 250 mm / 142 mm (valid for edge width 15 mm)			
<input type="checkbox"/> 300 x 300 mm / 200 mm (valid for edge width 15 mm)			
<input type="checkbox"/> Custom: (For gully top with standard edge width of 15 mm subtract 30 mm from overall width as value for internal width)			
Wo: <input type="text"/> mm			
Wi: <input type="text"/> mm			

Step 4 - Gully construction

Welded gully



Telescopic gully



Outlet orientation and dimensions

Vertical outlet ($\varnothing d2$ / $\varnothing D$)	Horizontal outlet ($\varnothing d2$ / $\varnothing D$)
<input type="checkbox"/> 142 / 75 (1.4 l/s)	<input type="checkbox"/> 142 / 75 (1.4 l/s)
<input type="checkbox"/> 142 / 110 (1.6 l/s)	<input type="checkbox"/> 142 / 110 (1.6 l/s)
<input type="checkbox"/> 157 / 75 (2.7 l/s)	<input type="checkbox"/> 157 / 75 (2.6 l/s)
<input type="checkbox"/> 157 / 110 (3.5 l/s)	<input type="checkbox"/> 157 / 110 (2.8 l/s)
<input type="checkbox"/> 218 / 110 (5.0 l/s)	<input type="checkbox"/> 218 / 110 (4.4 l/s)
<input type="checkbox"/> 218 / 160 (5.0 l/s)	

Location flange
(For telescopic gully only)



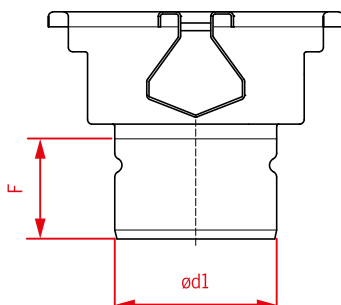
Bonding flange
(For telescopic gully only)



Mechanical clamping flange
(For telescopic gully only)



Without gully (outlet pipe only)



Outlet diameter ($\varnothing d1$)	Outlet length (F)
<input type="checkbox"/> 75 mm (valid for gully top 200 x 200 mm)	<input type="checkbox"/> 36 mm
<input type="checkbox"/> 110 mm (valid for gully top 200 x 200 mm)	<input type="checkbox"/> 58 mm
<input type="checkbox"/> 125 mm (valid for gully top 200 x 200 mm)	<input type="checkbox"/> 150 mm
<input type="checkbox"/> 142 mm (valid for gully top 250 x 250 mm)	<input type="checkbox"/> Custom: <input type="text"/> mm
<input type="checkbox"/> 200 mm (valid for gully top 300 x 300 mm)	

Step 5 - Accessories

Foul air trap included

- Yes
- No



Silt basket included

- Yes
- No



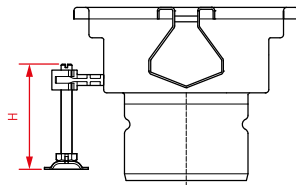
Raising piece included

- Yes
- No
- With Location flange
- With Bonding flange
- With Mechanical clamping flange



ACO EasyFix levelling feet height (H)

- 80 mm (standard)
- 110 mm
- 170 mm
- 200 mm



ACO Protective covers included

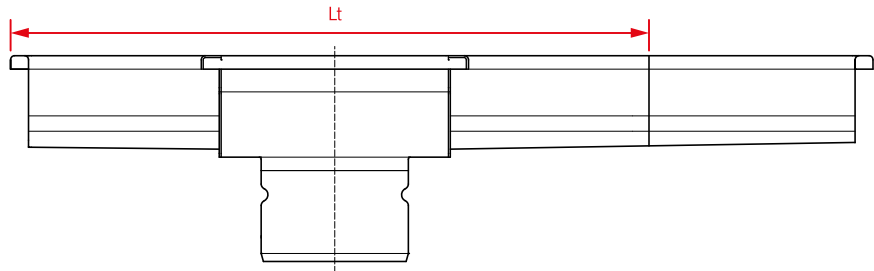
- Yes
- No



Step 6 - Delivery requirements

Maximum transport length (Lt)

- 6000 mm (standard)
- 3000 mm
- 2000 mm



Step 7 - Gratings

ACO hygienic ladder grating



Slip resistant Plain

Load class

- R 50**
(valid up to $W_o = 300$ mm)
- M 125**
(valid up to $W_o = 300$ mm)
- N 250**
(valid up to $W_o = 300$ mm)

ACO hygienic cast grating

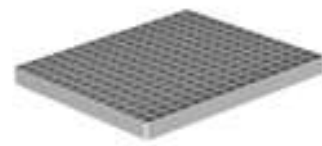


Slip resistant

Load class

- M 125**
(valid up to $W_o = 300$ mm)

ACO mesh grating



Slip resistant Plain

Load class

- L 15**
(valid up to $W_o = 300$ mm)
- R 50**
(valid up to $W_o = 300$ mm)

ACO hygienic slot cover

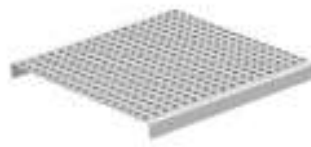


Slip resistant

Load class

- R 50**
(valid up to $W_o = 300$ mm)
- M 125**
(valid up to $W_o = 300$ mm)

ACO perforated grating

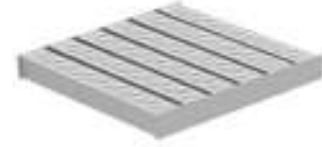


Plain

Load class

- L 15**
(valid up to $W_o = 300$ mm)
- R 50**
(valid up to $W_o = 300$ mm)

ACO multi-slot 5 grating



Slip resistant

Load class

- L 15**
(valid up to $W_o = 300$ mm)

ACO heelsafe grating



Plain

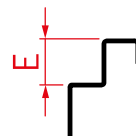
Load class

- L 15**
(valid up to $W_o = 300$ mm)

Without gratings

Height of gratings (E)

- 20 mm
- 25 mm
- 30 mm
- 40 mm



Introduction

ACO modular channel portfolio

The ACO modular channel range includes channels for all common applications and all common floor types (concrete, tiles, resin or vinyl). Selecting a channel from the range is easy. The unique variability of the whole portfolio makes it easy to choose the right channel according to a specific customer's needs.

Channel's length, depth and outlet position are just a few of the parameters which can be varied and, regardless of the variations specified, there is no impact on delivery lead times.

ACO modular channel ordering

The dimensions of the ACO modular channel can be easily specified in respect of project requirements.

ACO modular channel customization

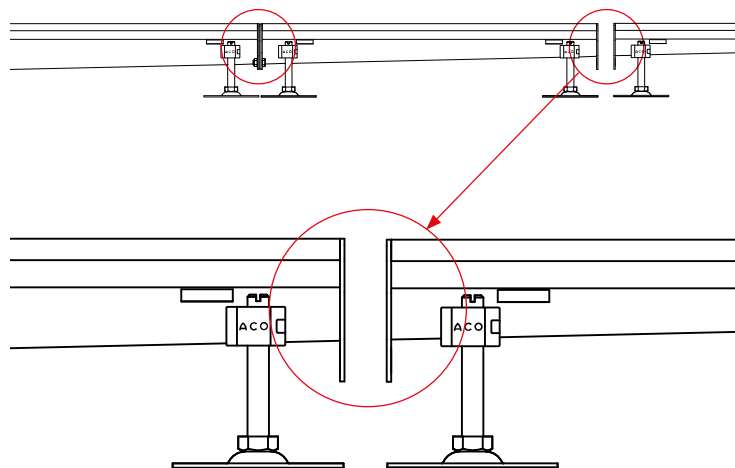
In addition, all ACO modular channels can be designed to a special length.

To request customised ACO modular channel, please contact our Sales/ Technical department.

ACO modular sloped channel connection

Sloped channels are provided with rubber seal at the deep end of the channel only.

If your design plan includes channels connection at shallow ends, make sure that appropriate amount of rubber seals is included in your order.



ACO modular channel system overview



ACO modular box channel 125



ACO modular box channel 200

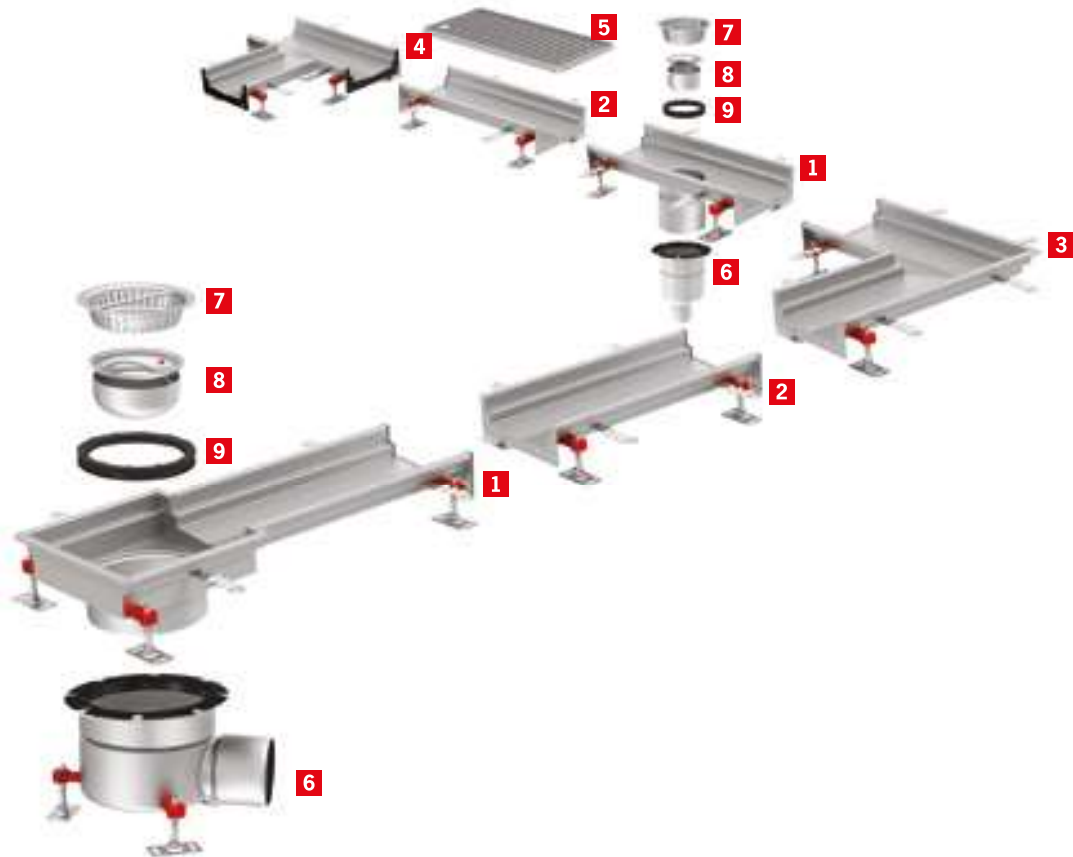


ACO modular slot channel 20

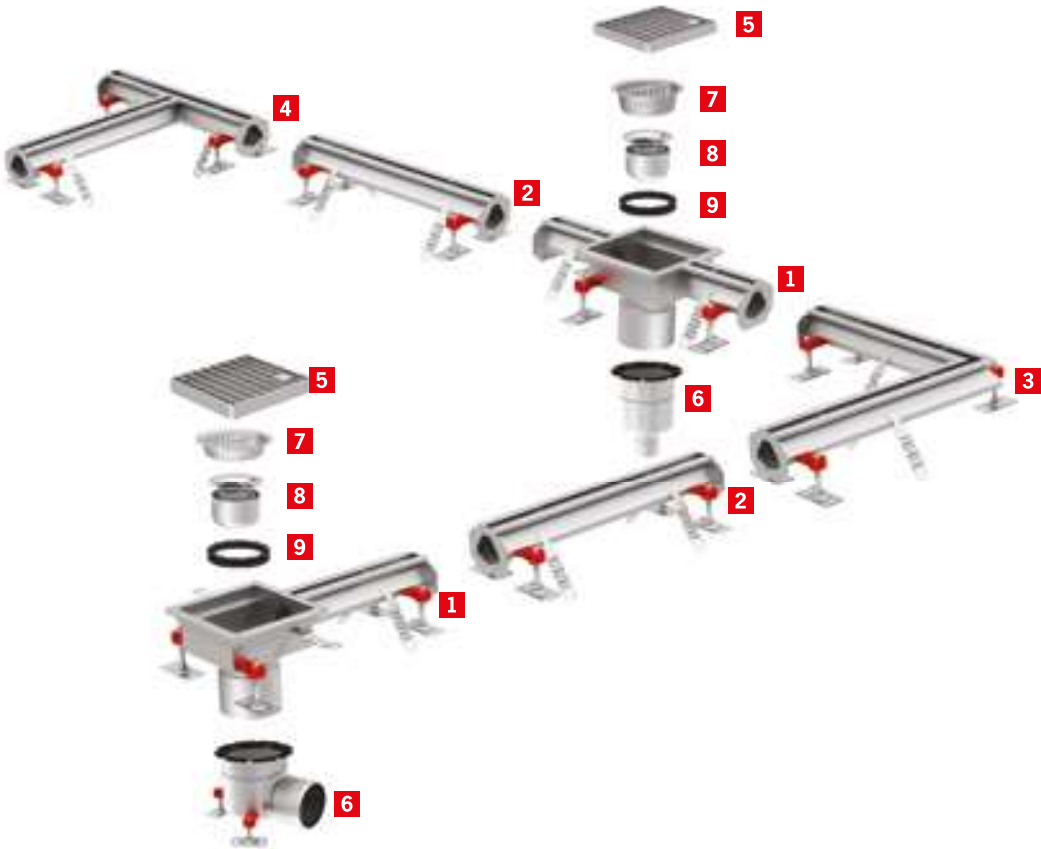


**ACO gully
with accessories**

ACO modular box channel system overview



ACO modular slot channel system overview



- 1 Outlet unit
- 2 Level invert and sloping invert channel
- 3 Corner unit
- 4 Branch unit
- 5 Grating
- 6 Gully
- 7 Silt basket
- 8 Foul air trap
- 9 Foul air trap support

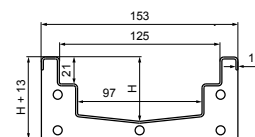
ACO modular box channel 125 - standard articles

Product information

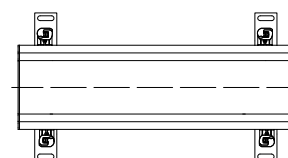
Modular concept allows specification of standard channel units to surround machinery and fit within existing tiling patterns.

Vee-bottomed (V) profiled channel for enhanced flow efficiency at low flow rates and for improved self cleaning performance.

- Fully compliant to EN 1253
- Fully tested and classified to EN 1433
- Available in 1.4301 (304) or 1.4404 (316L) grades of stainless steel
- Fully pickled and passivated
- Easy and secure telescopic connection with gully
- Cut on demand items available to minimize works on site
- Wide range of gratings for load class up to C 250 (EN 1433)



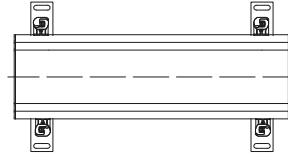
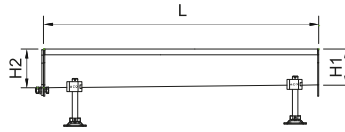
Level invert channel



L [mm]	Dimensions		Item number	
		H [mm]	1.4301	1.4404
500		50	105119	407211
		65	105120	407212
		80	105121	407213
		95	105122	407214
		110	105123	407215
		125	105124	407216
1000		50	105127	407217
		65	105128	407218
		80	105129	407219
		95	105130	407220
		110	105131	407221
		125	105132	407222
2000		50	105135	407223
		65	105136	407224
		80	105137	407225
		95	105138	407226
		110	105139	407227
		125	105140	407228
3000		50	105143	407229
		65	105144	407230
		80	105145	407231
		95	105146	407232
		110	105147	407233
		125	105148	407234

Note: Items are equipped with seal and connecting material on one side.

Sloping invert channel

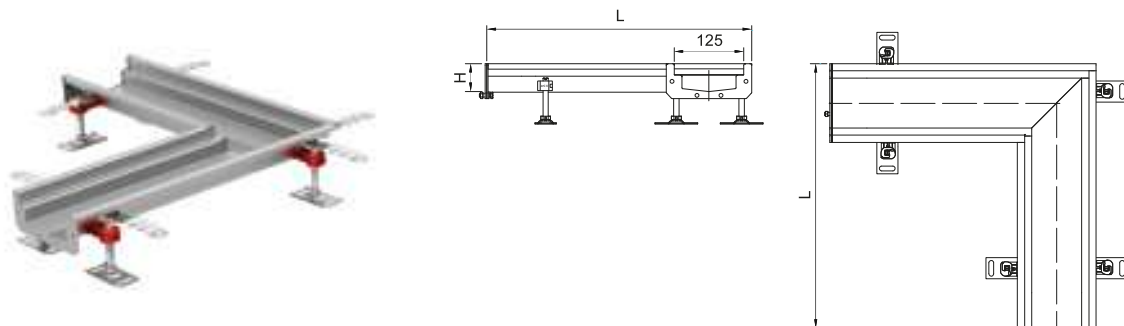


L [mm]	Dimensions		Item number	
	H1 [mm]	H2 [mm]	1.4301	1.4404
500	50	65	105151	407235
	65	80	105152	407236
1000	50	65	105155	407237
	65	80	105156	407238
	80	95	105157	407239
	95	110	105158	407240
2000	50	65	105161	407241
	65	80	105162	407242
	80	95	105163	407243
	95	110	105164	407244
	110	125	105165	407245
3000	50	65	105168	407246
	65	80	105169	407247
	80	95	105170	407248
	95	110	105171	407249
	110	125	105172	407250
6000	50	80	408821	408824
	65	95	408822	408825
	95	125	408823	408826

Note: Items are equipped with seal and connecting material on deeper side only. See page 116 for more details.



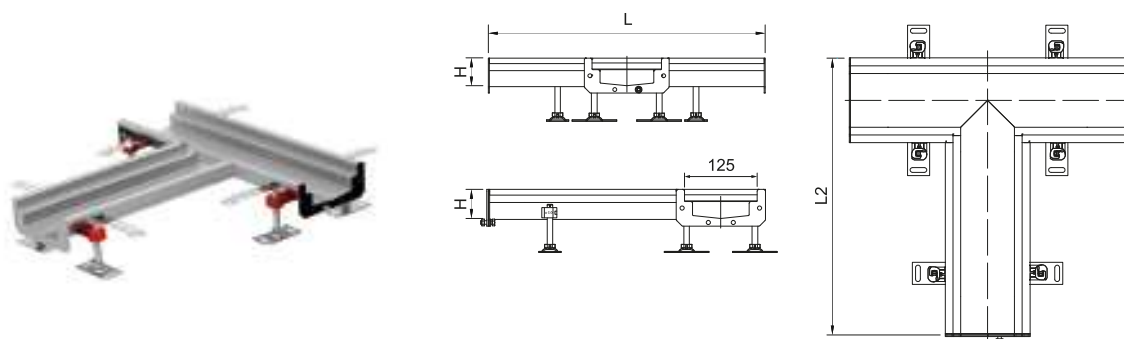
Corner unit



Dimensions		Item number	
L [mm]	H [mm]	1.4301	1.4404
515	50	409812	409818
	65	409813	409819
	80	409814	409820
	95	409815	409821
	110	409816	409822
	125	409817	409823

Note: Items are equipped with seal and connecting material on one side.

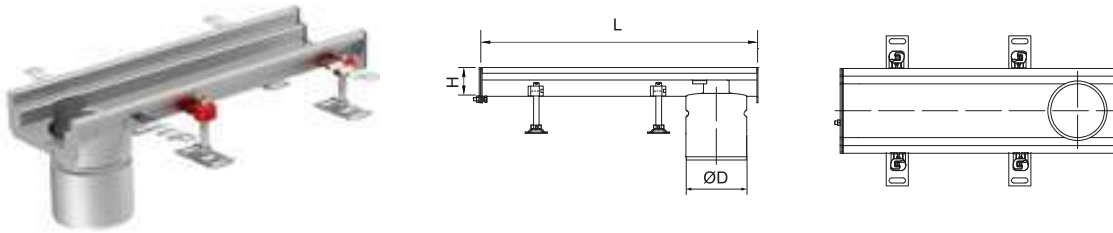
Branch unit



Dimensions			Item number	
L1 [mm]	L2 [mm]	H [mm]	1.4301	1.4404
500	515	50	409824	409830
		65	409825	409831
		80	409826	409832
		95	409827	409833
		110	409828	409834
		125	409829	409835

Note: Items are equipped with seal and connecting material on one side.

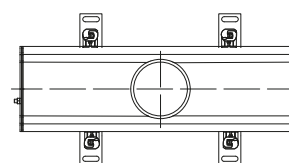
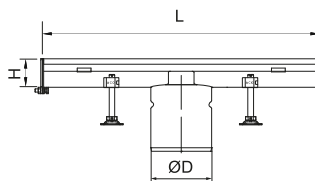
End outlet



Dimensions		Gully	Outlet diameter øD [mm]	Item number			
L [mm]	H [mm]			1.4301	1.4404		
500	50	ACO gully EG150	110	105175	407251		
	65			105176	407252		
	80			105177	407253		
	95			105178	407254		
	110			105179	407255		
	125			105180	407256		
1000	50					105183	407257
	65					105184	407258
	80					105185	407259
	95					105186	407260
	110					105187	407261
	125					105188	407262
500	50	ACO hygienic gully 142	125	415946	415991		
	65			415947	415992		
	80			415948	415993		
	95			415949	415994		
	110			415950	415995		
	125			415951	415996		
1000	50					415952	415997
	65					415953	415998
	80					415954	415999
	95					415955	416000
	110					415956	416001
	125					415957	416002
500	50	ACO hygienic gully 157	142	409732	409733		
	65			409736	409737		
	80			409740	409741		
	95			409744	409745		
	110			409724	409725		
	125			409728	409729		
1000	50					409708	409709
	65					409712	409713
	80					409716	409717
	95					409720	409721
	110					409700	409701
	125					409704	409705

Note: Items are equipped with seal and connecting material on one side.

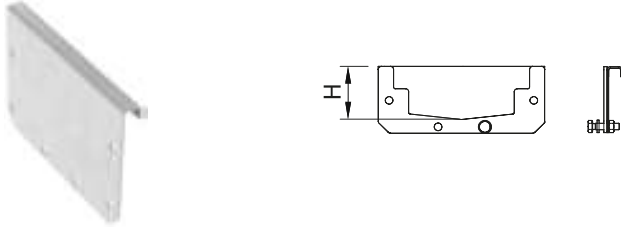
Centre outlet



Dimensions		Gully	Outlet diameter øD [mm]	Item number			
L [mm]	H [mm]			1.4301	1.4404		
500	50	ACO gully EG150	110	105191	407263		
	65			105192	407264		
	80			105193	407265		
	95			105194	407266		
	110			105195	407267		
	125			105196	407268		
1000	50			105199	407269		
	65			105200	407270		
	80			105201	407271		
	95			105202	407272		
	110			105203	407273		
	125			105204	407274		
500	50			ACO hygienic gully 142	125	415958	416003
	65					415959	416004
	80					415960	416005
	95					415961	416006
	110					415962	416007
	125					415963	416008
1000	50	415964	416009				
	65	415965	416010				
	80	415966	416011				
	95	415967	416012				
	110	415968	416013				
	125	415969	416014				
500	50	ACO hygienic gully 157	142			409734	409735
	65					409738	409739
	80					409742	409743
	95					409746	409747
	110					409726	409727
	125					409730	409731
1000	50			409710	409711		
	65			409714	409715		
	80			409718	409719		
	95			409722	409723		
	110			409702	409703		
	125			409706	409707		

Note: Items are equipped with seal and connecting material on one side.

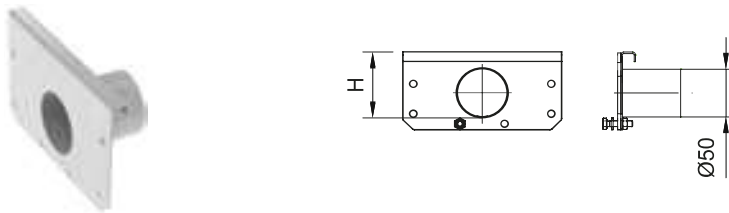
End plate



Dimensions	Item number	
	1.4301	1.4404
H [mm]		
50	105100	407196
65	105101	407197
80	105102	407198
95	105103	407199
110	105104	407200
125	105105	407201

Note: Items are equipped with seal and connecting material.

End plate with 50 mm outlet



Dimensions	Item number	
	1.4301	1.4404
H [mm]		
65	409114	409119
80	409115	409120
95	409116	409121
110	409117	409122
125	409118	409123

Note: Items are equipped with seal and connecting material.

Seal rubber



Dimensions	Item number
	NBR
H [mm]	
50	413587
65	413588
80	413589
95	413590
110	413591
125	413592

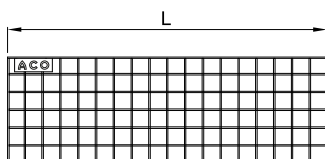
Note: Items include seal and connecting material.

Gratings for ACO modular box channel 125

Product information

- Fully tested and classified to EN 1433
- Available in 1.4301 (304) or 1.4404 (316L) grades of stainless steel
- Special length 375 mm for branches and corner units
- Slip resistant gratings available for added user safety
- Load classes A 15, B 125 and C 250

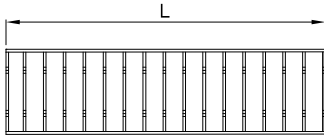
ACO mesh grating



ACO channel

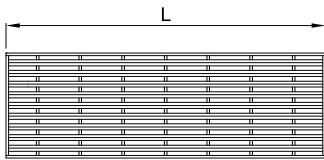
Length L [mm]	Load class	Slip resistant	Material	Item number	
375	A 15	No	1.4301	414132	
			1.4404	414182	
	C 250	Yes	1.4301	414130	
			1.4404	414180	
		C 250	No	1.4301	414133
				1.4404	414183
500	A 15	Yes	1.4301	414131	
			1.4404	414181	
	C 250	No	1.4301	21720	
			1.4404	21725	
		C 250	Yes	1.4301	21710
				1.4404	21715
1000	A 15	No	1.4301	21920	
			1.4404	21925	
	C 250	Yes	1.4301	21910	
			1.4404	21915	
		A 15	No	1.4301	21620
				1.4404	21625
	C 250	Yes	1.4301	21610	
			1.4404	21615	
	C 250	No	1.4301	21820	
			1.4404	21825	
		Yes	1.4301	21810	
			1.4404	21815	

ACO ladder grating



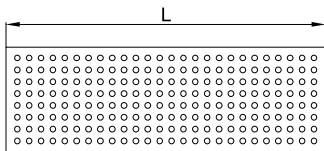
Length L [mm]	Load class	Slip resistant	Material	Item number
375	C 250	Yes	1.4301	414134
			1.4404	414184
500	C 250	Yes	1.4301	21740
			1.4404	21745
1000	C 250	Yes	1.4301	21741
			1.4404	21746

ACO heelsafe grating



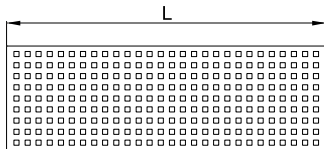
Length L [mm]	Load class	Slip resistant	Material	Item number
375	B 125	No	1.4301	414135
			1.4404	414185
500	B 125	No	1.4301	96819
			1.4404	401238
1000	B 125	No	1.4301	96818
			1.4404	401237

ACO perforated grating



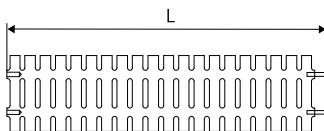
Length L [mm]	Load class	Slip resistant	Material	Item number
375	A 15	No	1.4301	414136
			1.4404	414186
	B 125	No	1.4301	414137
			1.4404	414187
500	A 15	No	1.4301	21760
			1.4404	21765
	B 125	No	1.4301	21960
			1.4404	21965
1000	A 15	No	1.4301	21660
			1.4404	21665
	B 125	No	1.4301	21860
			1.4404	21865

ACO quadrato grating



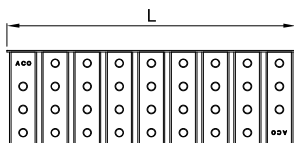
Length L [mm]	Load class	Slip resistant	With lock	Material	Item number
375	A 15	No	No	1.4301	414138
				1.4404	414188
500	A 15	No	No	1.4301	105530
				1.4404	413999
			Yes	1.4301	105528
				1.4404	407925
1000	A 15	No	No	1.4301	105529
				1.4404	413998
			Yes	1.4301	105527
				1.4404	407924

ACO plastic grating



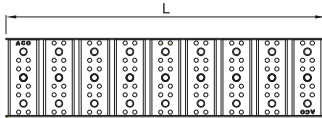
Length L [mm]	Load class	Slip resistant	Material	Item number
500	A 15	No	-	21790
1000	A 15	No	-	21690

ACO multi-slot 5 grating



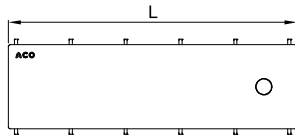
Length L [mm]	Load class	Slip resistant	Material	Item number
375	A 15	Yes	1.4301	414139
			1.4404	414189
500	A 15	Yes	1.4301	409290
			1.4404	409291
	B 125	Yes	1.4301	409294
			1.4404	409295
1 000	A 15	Yes	1.4301	409286
			1.4404	409287
	B 125	Yes	1.4301	409236
			1.4404	409237

ACO multi-slot 8 grating



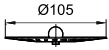
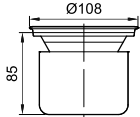
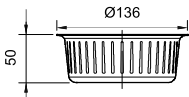
Length L [mm]	Load class	Slip resistant	Material	Item number
500	A 15	Yes	1.4301	415739
			1.4404	415740
	B 125	Yes	1.4301	415747
			1.4404	415748
	C 250	Yes	1.4301	415753
			1.4404	415754
1 000	A 15	Yes	1.4301	415735
			1.4404	415736
	B 125	Yes	1.4301	415743
			1.4404	415744
	C 250	Yes	1.4301	415751
			1.4404	415752

ACO hygienic slot cover



Length L [mm]	Load class	Slip resistant	Material	Item number
375	B 125	Yes	1.4301	445800
			1.4404	445801
	C 250	Yes	1.4301	445802
			1.4404	445803
500	B 125	Yes	1.4301	445792
			1.4404	445793
	C 250	Yes	1.4301	445794
			1.4404	445795
1 000	B 125	Yes	1.4301	445796
			1.4404	445797
	C 250	Yes	1.4301	445798
			1.4404	445799

Accessories for ACO modular box channel 125

	Description	Used with	Material	Item number
	Sieve ■ Stainless steel	■ ACO modular box channel 125 with outlet 110 mm	1.4301	97235
			1.4404	97285
	Foul air trap ■ Stainless steel ■ Water seal 50 mm	■ ACO modular box channel 125 with outlet 110 mm	1.4301	97217
			1.4404	97267
	Silt basket ■ Stainless steel ■ 0.5 litre capacity	■ ACO modular box channel 125 with outlet 125 and 142 mm	1.4301	414339
			1.4404	414340

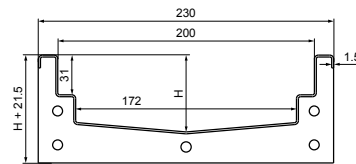
ACO channel

ACO modular box channel 200 - standard articles

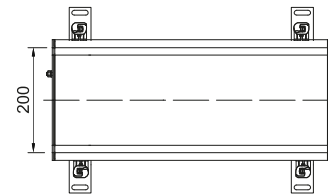
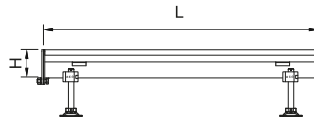
Product information

Modular concept allows specification of standard channel units to surround machinery and fit within existing tiling patterns.

- Fully compliant to EN 1253
- Fully tested and classified to EN 1433
- Available in 1.4301 (304) or 1.4404 (316L) grades of stainless steel
- Fully pickled and passivated
- Easy and secure telescopic connection with gully
- Cut on demand items available to minimize works on site
- Wide range of gratings for load class up to C 250 (EN 1433)



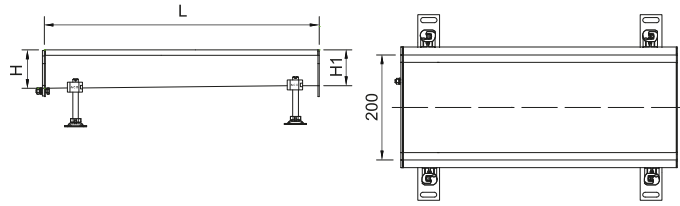
Level invert channel



L [mm]	Dimensions		Item number	
		H [mm]	1.4301	1.4404
500		60	409072	409050
		70	409047	409051
		80	409048	409052
		100	409049	409053
1000		60	401859	401860
		70	409054	409057
		80	409055	409058
		100	409056	409059
2000		60	401875	401876
		70	409060	409063
		80	409061	409064
		100	409062	409065
3000		60	401895	401896
		70	409066	409069
		80	409067	409070
		100	409068	409071

Note: Items are equipped with seal and connecting material on one side.

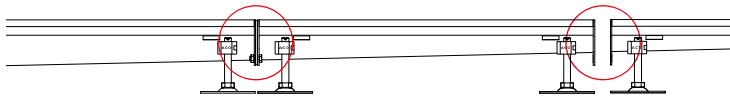
Sloping invert channel



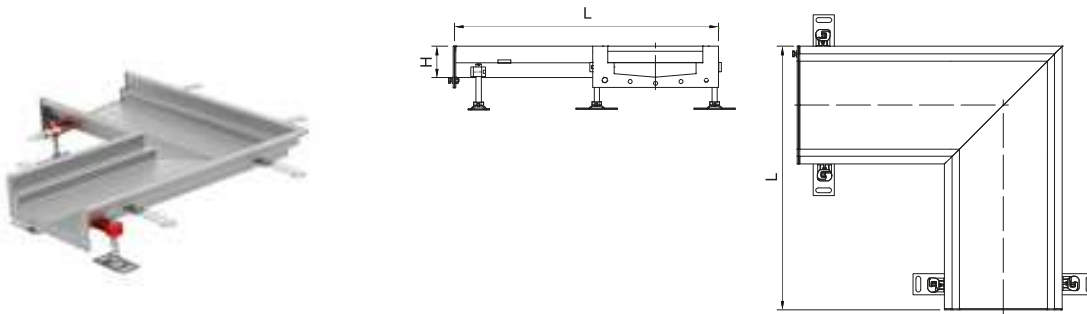
ACO channel

L [mm]	Dimensions		Item number	
	H1 [mm]	H2 [mm]	1.4301	1.4404
500	55	60	401855	401856
1000	60	70	401871	401872
	70	80	402464	402465
	80	90	402466	402467
	90	100	402468	402469
	100	110	402470	402471
2000	60	70	401887	401888
	70	80	402472	402473
	80	90	402474	402475
	90	100	402476	402477
	100	110	402478	402479
3000	110	120	402480	402481
	60	80	402482	402483
	80	100	402484	402485
	100	120	402486	402487
6000	120	140	402488	402489
	60	100	408827	408829
	100	140	408828	408830

Note: Items are equipped with seal and connecting material on deeper side only. See page 116 for more details.



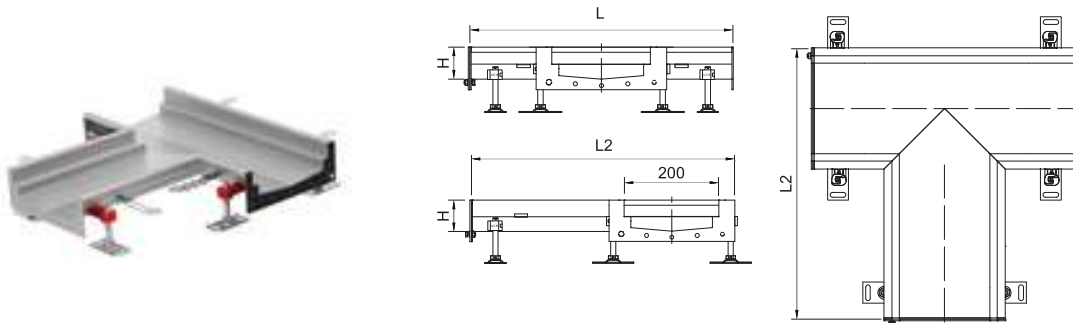
Corner unit



Dimensions		Item number	
L [mm]	H [mm]	1.4301	1.4404
515	60	401921	401922
	80	402490	402491
	100	402492	402493

Note: Items are equipped with seal and connecting material on one side.

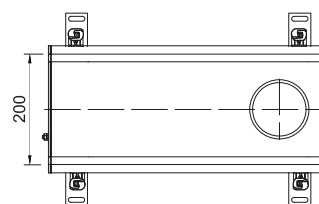
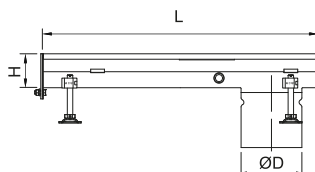
Branch unit



Dimensions			Item number	
L [mm]	H1 [mm]	H2 [mm]	1.4301	1.4404
500	515	60	401933	401934
		80	402494	402495
		100	402496	402497

Note: Items are equipped with seal and connecting material on one side.

End outlet

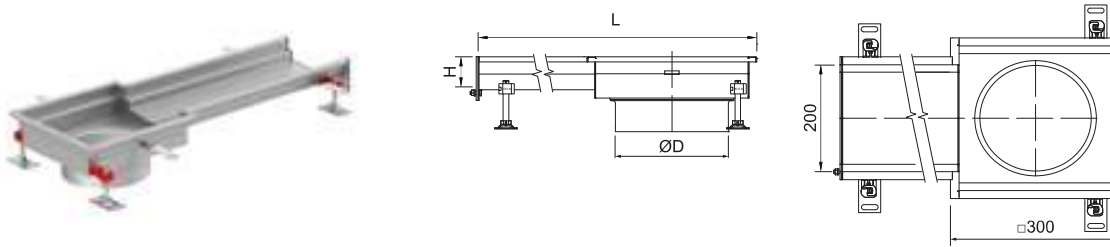


ACO channel

Dimensions		Gully	Outlet diameter øD [mm]	Item number			
L [mm]	H [mm]			1.4301	1.4404		
500	60	ACO gully EG150	110	414275	414283		
	70			414276	414284		
	80			414277	414285		
	90			414278	414286		
	100			414279	414287		
	110			414280	414288		
	120			414281	414289		
	140			414282	414290		
1000	60			414291	414299		
	70			414292	414300		
	80			414293	414301		
	90			414294	414302		
	100			414295	414303		
	110			414296	414304		
500	120			ACO hygienic gully 157	142	414297	414305
	140					414298	414306
	60	409900	409908				
	70	409901	409909				
	80	409902	409910				
	90	409903	409911				
	100	409904	409912				
	110	409905	409913				
1000	120	409906	409914				
	140	409907	409915				
	60	409932	409940				
	70	409933	409941				
	80	409934	409942				
	90	409935	409943				
	100	409936	409944				
	110	409937	409945				
1000	120	409938	409946				
	140	409939	409947				

Note: Note: Items are equipped with seal and connecting material on one side.

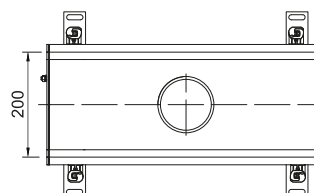
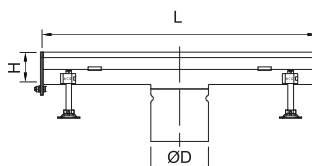
End outlet



Dimensions		Gully	Outlet diameter ØD [mm]	Item number	
L [mm]	H [mm]			1.4301	1.4404
785	60	ACO hygienic gully 218	200	414259	414267
	70			414260	414268
	80			414261	414269
	90			414262	414270
	100			414263	414271
	110			414264	414272
	120			414265	414273
	140			414266	414274

Note: Items are equipped with seal and connecting material on one side.

Centre outlet

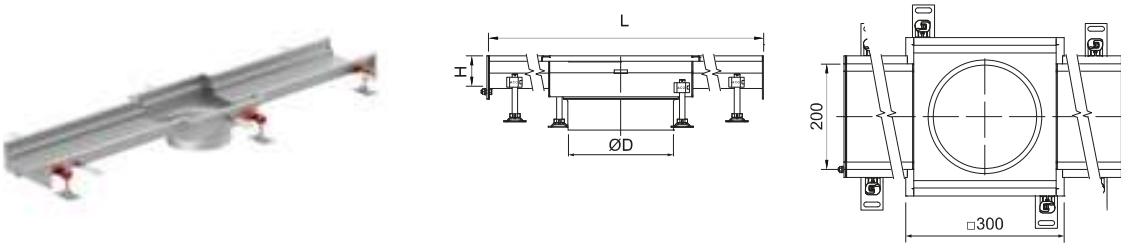


ACO channel

Dimensions		Gully	Outlet diameter øD [mm]	Item number	
L [mm]	H [mm]			1.4301	1.4404
500	60	ACO gully EG150	110	414307	414315
	70			414308	414316
	80			414309	414317
	90			414310	414318
	100			414311	414319
	110			414312	414320
	120			414313	414321
	140			414314	414322
1000	60			414323	414331
	70			414324	414332
	80			414325	414333
	90			414326	414334
	100			414327	414335
	110			414328	414336
	120			414329	414337
	140			414330	414338
500	60	ACO hygienic gully 157	142	409916	409924
	70			409917	409925
	80			409918	409926
	90			409919	409927
	100			409920	409928
	110			409921	409929
	120			409922	409930
	140			409923	409931
1000	60			409948	409956
	70			409949	409957
	80			409950	409958
	90			409951	409959
	100			409952	409960
	110			409953	409961
	120			409954	409962
	140			409955	409963

Note: Items are equipped with seal and connecting material on one side.

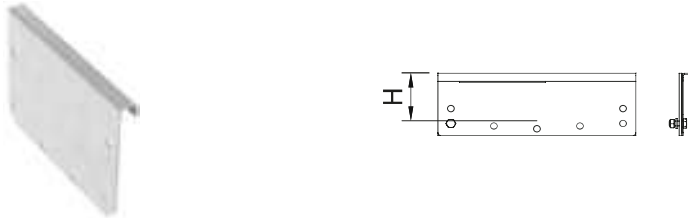
Centre outlet



Dimensions		Gully	Outlet diameter ØD [mm]	Item number	
L [mm]	H [mm]			1.4301	1.4404
1270	60	ACO hygienic gully 218	200	414243	414251
	70			414244	414252
	80			414245	414253
	90			414246	414254
	100			414247	414255
	110			414248	414256
	120			414249	414257
	140			414250	414258

Note: Items are equipped with seal and connecting material on one side.

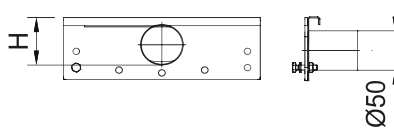
End plate



Dimensions [mm]	Item number	
55	1.4301	1.4404
60	402683	402684
70	402028	402029
80	402030	402031
90	402514	402515
100	402032	402033
110	402516	402517
120	402518	402519
120	402036	402037
140	402520	402521

Note: Items are equipped with seal and connecting material.

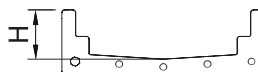
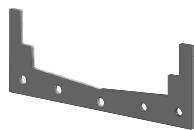
End plate with 50 mm outlet



Dimensions H [mm]	Item number	
	1.4301	1.4404
55	402001	402002
60	402003	402004
70	402005	402006
80	402034	402035
90	402007	402008
100	402024	402025
110	402020	402021
120	402022	402023
140	401999	402000

Note: Items are equipped with seal and connecting material.

Seal rubber



Dimensions H [mm]	Item number
	NBR
60	413593
70	413594
80	413595
90	413596
100	413597
110	413598
120	413599
140	413600

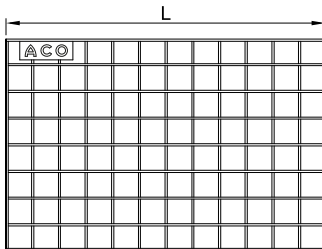
Note: Items include seal and connecting material.

Gratings for ACO modular box channel 200

Product information

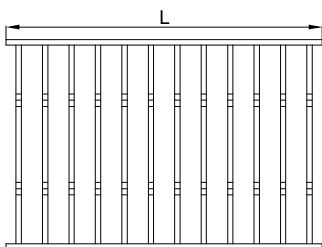
- Fully tested and classified to EN 1433
- Available in 1.4301 (304) or 1.4404 (316L) grades of stainless steel
- Special length 300 mm for branches and corner units
- Slip resistant gratings available for added user safety
- Load classes A 15, B 125 and C 250

ACO mesh grating



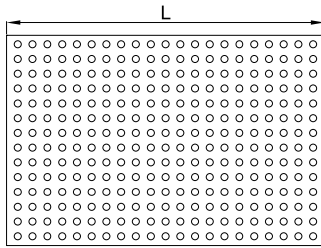
Length L [mm]	Load class	Slip resistant	Material	Item number
300	A 15	No	1.4301	414141
			1.4404	414191
		Yes	1.4301	414140
			1.4404	414190
500	A 15	No	1.4301	92207
			1.4404	92257
		Yes	1.4301	92200
			1.4404	92250
1000	A 15	No	1.4301	92208
			1.4404	92258
		Yes	1.4301	92201
			1.4404	92251

ACO ladder grating



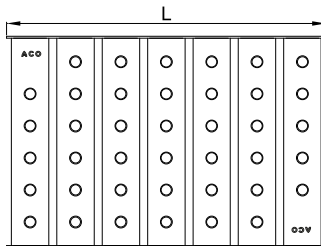
Length L [mm]	Load class	Slip resistant	Material	Item number
300	C 250	Yes	1.4301	414142
			1.4404	414192
500	C 250	Yes	1.4301	92214
			1.4404	92264
1000	C 250	Yes	1.4301	92215
			1.4404	92265

ACO perforated grating



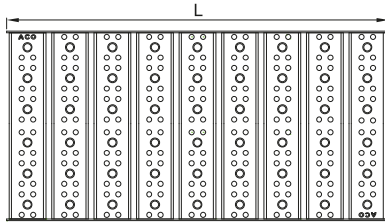
Length L [mm]	Load class	Slip resistant	Material	Item number
300	A 15	No	1.4301	414143
			1.4404	414193
500	A 15	No	1.4301	402689
			1.4404	405188
1000	A 15	No	1.4301	402688
			1.4404	405187

ACO multi-slot 5 grating



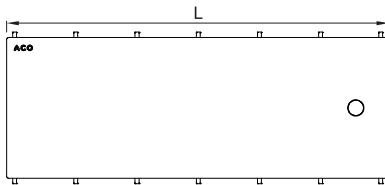
Length L [mm]	Load class	Slip resistant	Material	Item number
300	A 15	Yes	1.4301	414145
			1.4404	414195
500	A 15	Yes	1.4301	409292
			1.4404	409293
	B 125	Yes	1.4301	409296
			1.4404	409297
1000	A 15	Yes	1.4301	409288
			1.4404	409289
	B 125	Yes	1.4301	409240
			1.4404	409241

ACO multi-slot 8 grating



Length L [mm]	Load class	Slip resistant	Material	Item number
500	A 15	Yes	1.4301	415741
			1.4404	415742
	B 125	Yes	1.4301	415749
			1.4404	415750
1000	A 15	Yes	1.4301	415737
			1.4404	415738
	B 125	Yes	1.4301	415745
			1.4404	415746

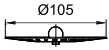
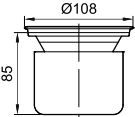
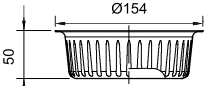
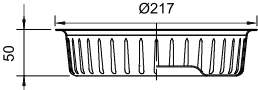
ACO hygienic slot cover



Length L [mm]	Load class	Slip resistant	Material	Item number
375	B 125	Yes	1.4301	445812
			1.4404	445813
	C 250	Yes	1.4301	445814
			1.4404	445815
500	B 125	Yes	1.4301	445804
			1.4404	445805
	C 250	Yes	1.4301	445806
			1.4404	445807
1 000	B 125	Yes	1.4301	445808
			1.4404	445809
	C 250	Yes	1.4301	445810
			1.4404	445811

Accessories for ACO modular box channel 200

ACO channel

	Description	Used with	Material	Item number
	Sieve ■ Stainless steel	■ ACO modular box channel 200 with outlet 110 mm	1.4301	97235
			1.4404	97285
	Foul air trap ■ Stainless steel ■ Water seal 50 mm	■ ACO modular box channel 200 with outlet 110 mm	1.4301	97217
			1.4404	97267
	Silt basket ■ Stainless steel ■ 0.6 litre capacity	■ ACO modular box channel 200 with outlet 142 mm	1.4301	408202
			1.4404	408212
	Silt basket ■ Stainless steel ■ 1.4 litre capacity	■ ACO modular box channel 200 with outlet 200 mm	1.4301	408222
			1.4404	408232

ACO modular slot channel 20 - standard articles

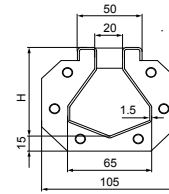
Product information

Ideal for wash-down applications or as a water break between designed wet and dry areas.

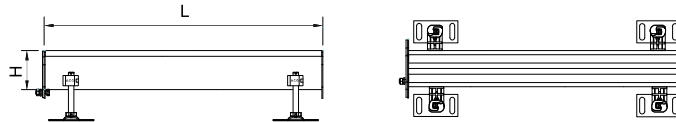
Modular concept allows specification of standard channel units to surround machinery and fit within existing tiling patterns.

Vee-bottomed (V) profiled channel for enhanced flow efficiency at low flow rates and for improved self cleaning performance.

- Fully compliant to EN 1253
- Fully tested and classified to EN 1433
- Available in 1.4301 (304) or 1.4404 (316L) grades of stainless steel, Fully pickled and passivated
- Wide range of gratings for load class up to C 250 (EN 1433)



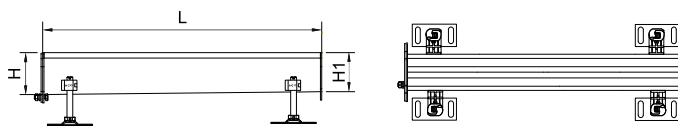
Level invert channel



L [mm]	Dimensions		Item number	
		H [mm]	1.4301	1.4404
500		70	92300	92350
		90	92301	92351
		120	92302	92352
1000		70	92305	92355
		90	92306	92356
		120	92307	92357
2000		70	92310	92360
		90	92311	92361
		120	92312	92362
3000		70	92316	92366
		90	92317	92367
		120	92318	92368

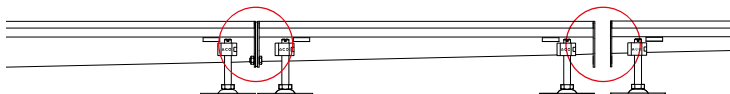
Note: Items are equipped with seal and connecting material on one side.

Sloping invert channel

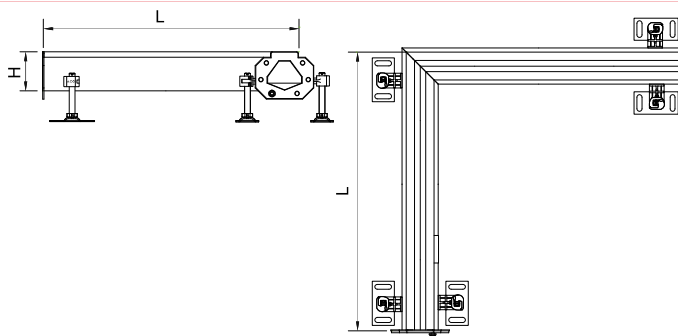


L [mm]	Dimensions		Item number	
	H1 [mm]	H2 [mm]	1.4301	1.4404
500	70	75	92303	92353
	75	80	92304	92354
1000	70	75	92308	92358
	75	80	92309	92359
2000	70	80	92313	92363
	80	90	92314	92364
	90	100	92315	92365
3000	70	80	92319	92369
	80	90	92320	92370
	90	100	92321	92371
	100	110	92322	92372
6000	110	120	92323	92373
	70	90	409014	409015
	90	110	409016	409017

Note: Items are equipped with seal and connecting material on deeper side only. See page 116 for more details.



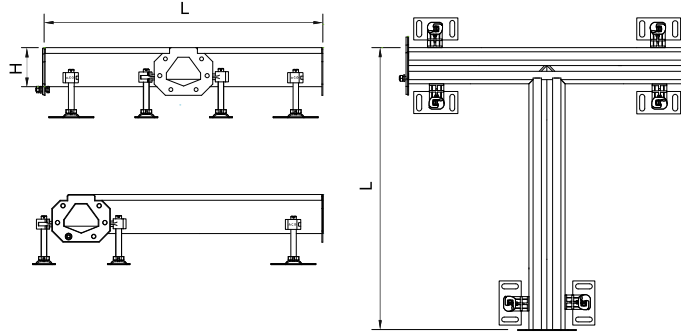
Corner unit



L [mm]	Dimensions		Item number	
	H [mm]		1.4301	1.4404
500	70		92338	92388
	75		92339	92389
	80		92340	92390
	90		92341	92391
	100		92342	92392
	110		92343	92393
	120		92344	92394

Note: Items are equipped with seal and connecting material on one side.

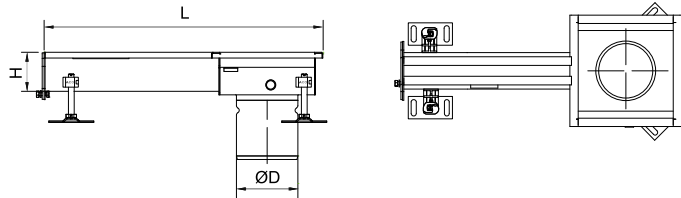
Branch unit



Dimensions		Item number	
L [mm]	H [mm]	1.4301	1.4404
500	70	92345	92395
	75	92346	92396
	80	92347	92397
	90	92348	92398
	100	92349	92399
	110	92400	92450
	120	92401	92451

Note: Items are equipped with seal and connecting material on one side.

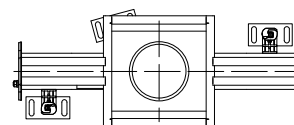
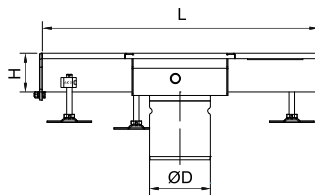
End outlet



Dimensions		Gully	Gully top	Outlet diameter	Item number	
L [mm]	H [mm]		[mm]	øD [mm]	1.4301	1.4404
500	70	ACO gully EG150	200 x 200	110	414341	414348
	75				414342	414349
	80				414343	414350
	90				414344	414351
	100				414345	414352
	110				414346	414353
	120				414347	414354
	70	ACO hygienic gully 142	200 x 200	125	415925	415970
	75				415926	415971
	80				415927	415972
	90				415928	415973
	100				415929	415974
	110				415930	415975
	120				415931	415976
	70	ACO hygienic gully 157	250 x 250	142	414201	414208
	75				414202	414209
	80				414203	414210
	90				414204	414211
	100				414205	414212
	110				414206	414213
	120				414207	414214

Note: Items are equipped with seal and connecting material on one side.

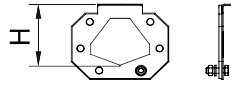
Centre outlet



Dimensions		Gully	Gully top [mm]	Outlet diameter øD [mm]	Item number	
L [mm]	H [mm]				1.4301	1.4404
500	70	ACO gully EG150	200 x 200	110	414355	414362
	75				414356	414363
	80				414357	414364
	90				414358	414365
	100				414359	414366
	110				414360	414367
	120				414361	414368
1000	70				414369	414376
	75				414370	414377
	80				414371	414378
	90				414372	414379
	100				414373	414380
	110				414374	414381
500	120				ACO hygienic gully 142	200 x 200
	70	415932	415977			
	75	415933	415978			
	80	415934	415979			
	90	415935	415980			
	100	415936	415981			
	110	415937	415982			
1000	120	415938	415983			
	70	415939	415984			
	75	415940	415985			
	80	415941	415986			
	90	415942	415987			
	100	415943	415988			
	110	415944	415989			
500	120	ACO hygienic gully 157	250 x 250	142	415945	415990
	70				414215	414222
	75				414216	414223
	80				414217	414224
	90				414218	414225
	100				414219	414226
	110				414220	414227
1000	120				414221	414228
	70				414229	414236
	75				414230	414237
	80				414231	414238
	90				414232	414239
	100				414233	414240
	110				414234	414241
120	414235	414242				

Note: Items are equipped with seal and connecting material on one side.

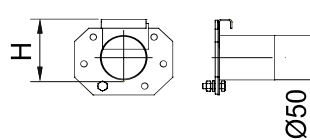
End plate



Dimensions H [mm]	Item number	
		1.4301
70	92324	92374
75	92325	92375
80	92326	92376
90	92327	92377
100	92328	92378
110	92329	92379
120	92330	92380

Note: Items are equipped with seal and connecting material.

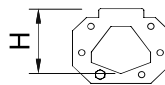
End plate with 50 mm outlet



Dimensions H [mm]	Item number	
		1.4301
70	92331	92381
75	92332	92382
80	92333	92383
90	92334	92384
100	92335	92385
110	92336	92386
120	92337	92387

Note: Items are equipped with seal and connecting material.

Seal rubber

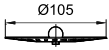
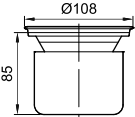
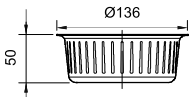
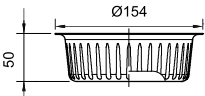


Dimensions H [mm]	Item number
	NBR
70	413601
75	413602
80	413603
90	413604
100	413605
110	413606
120	413607

Note: Items include seal and connecting material.

Accessories for ACO modular slot channel 20

ACO channel

	Description	Used with	Material	Item number
	Sieve ■ Stainless steel	■ ACO modular slot channel 20 with outlet 110 mm	1.4301	97235
			1.4404	97285
	Foul air trap ■ Stainless steel ■ Water seal 50 mm	■ ACO modular slot channel 20 with outlet 110 mm	1.4301	97217
			1.4404	97267
	Silt basket ■ Stainless steel ■ 0.5 litre capacity	■ ACO modular slot channel 20 with outlet 125 mm	1.4301	414339
			1.4404	414340
	Silt basket ■ Stainless steel ■ 0.6 litre capacity	■ ACO modular slot channel 20 with outlet 142 mm	1.4301	408202
			1.4404	408212

ACO modular channel - semi-standard

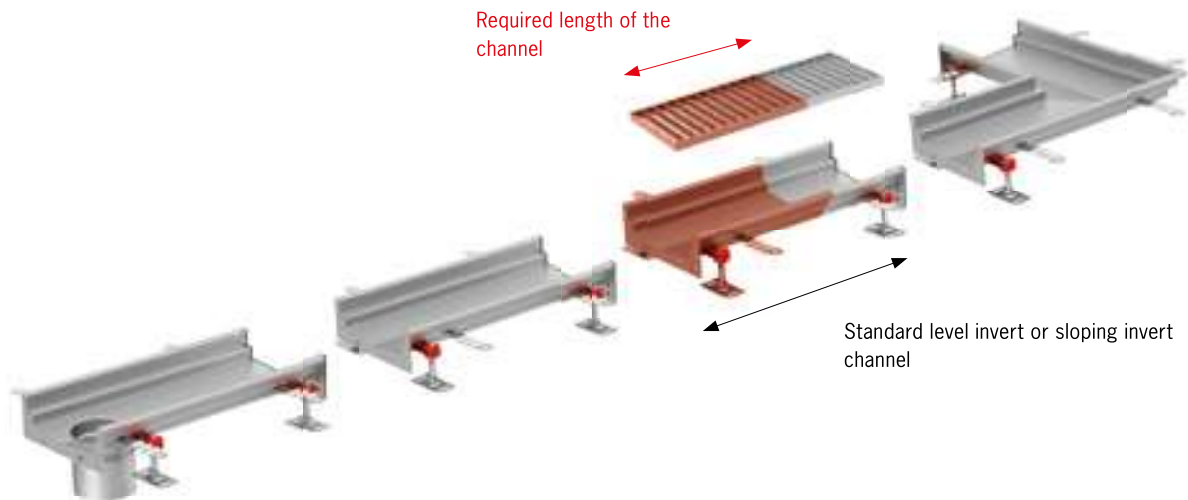
Product information

Semi-standard items offer/provide easy and fast way to get a slot or box channel of a special length to complete a linear drainage project with standard stock items. Simply specify the length you need.

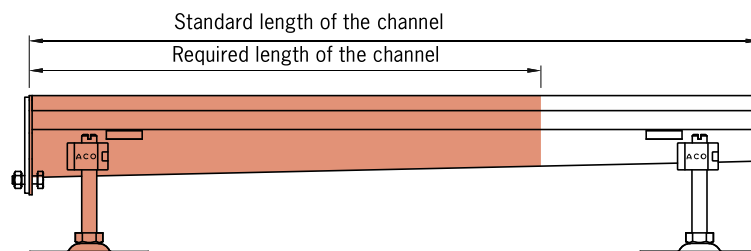
How to specify semi-standard items:
Specify the part number from which the semi-standard item will be produced.

How it works:

The semi-standard item is produced from a standard stock item (level invert and sloping invert channels only) which is shortened according to customer's need. The shortened item is then equipped with flange and sealing; to fit the following channel in the drainage project. Grating of the same length is also produced.



- Specify the required length of the item (length always starts at lower height of channel if channel with invert slope used).



ACO design channel

Product information

Even atypical solutions can be easily realised using stainless steel. The broad spectrum of finishes and shapes gives complete design freedom.

Customers' individual channel designs will be managed by our expert team with tailor-made services for specific projects with full proposal information, CAD layout drawings and assembly instructions. Contact our Sales/Technical department team and we will help you with your project.

ACO channel



Flow rates and Construction heights

ACO channel, ACO hygienic gully 142

Outlet diameter	Outlet position	Flow rate [l/s]	
		H = 60 mm	
ØD		A min. = 85	A max. = 115
		B min. = 194	B max. = 224
75	Vertical	1.4	1.7
110		1.6	1.9

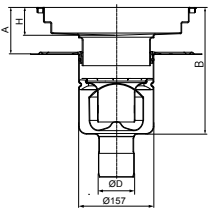
Outlet diameter	Outlet position	Flow rate [l/s]	
		H = 60 mm	
ØD		A min. = 75	A max. = 115
		B min. = 185	B max. = 245
75	Horizontal	1.4	1.7
110		1.6	1.9

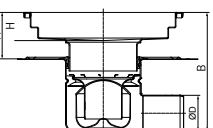
Notes:

A min. and B min. values can be reduced by 15 mm if earth screw is removed and channel outlet spigot shortened. Please be aware that channel outlet pipe shortening affects the A max. and B max. values.

Flow rates measured according to EN 1253. Flow rate performance without silt basket (flow rates with empty silt basket are approximately 15% lower than the values stated)

ACO channel, ACO hygienic gully 157

			
Outlet diameter	Outlet position	Flow rate [l/s]	
øD	Vertical	H = 60 mm	
		A min. = 85	A max. = 115
		B min. = 232	B max. = 262
75	Vertical	2.9	3.1
110		3.9	4.2

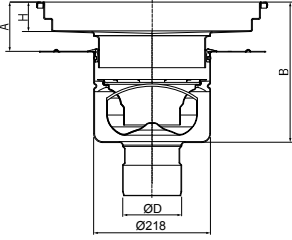
			
Outlet diameter	Outlet position	Flow rate [l/s]	
øD	Horizontal	H = 60 mm	
		A min. = 75	A max. = 115
		B min. = 242	B max. = 285
75	Horizontal	2.8	3.1
110		3.2	3.9

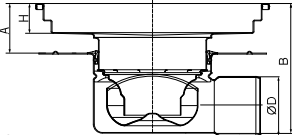
Notes:

A min. and B min. values can be reduced by 15 mm if earth screw is removed and channel outlet spigot shortened. Please be aware that channel outlet pipe shortening affects the A max. and B max. values.

Flow rates measured according to EN 1253. Flow rate performance without silt basket (flow rates with empty silt basket are approximately 15% lower than the values stated)

ACO channel, ACO hygienic gully 218

											
Outlet diameter	Outlet position	Flow rate [l/s]									
øD		H = 60 mm		H = 80 mm		H = 100 mm		H = 150 mm		H = 200 mm	
		A min. = 75 [mm]	A max. = 115 [mm]	A min. = 95 [mm]	A max. = 135 [mm]	A min. = 115 [mm]	A max. = 155 [mm]	A min. = 165 [mm]	A max. = 205 [mm]	A min. = 215 [mm]	A max. = 255 [mm]
		B min. = 245 [mm]	B max. = 285 [mm]	B min. = 265 [mm]	B max. = 305 [mm]	B min. = 285 [mm]	B max. = 325 [mm]	B min. = 335 [mm]	B max. = 375 [mm]	B min. = 385 [mm]	B max. = 425 [mm]
110	Vertical	5.4	5.6	5.6	5.8	5.7	6.0	5.9	6.4	6.4	6.4
160		5.4	5.6	5.6	5.8	5.7	6.0	5.9	6.4	6.4	6.4

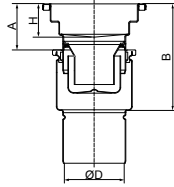
											
Outlet diameter	Outlet position	Flow rate [l/s]									
øD		H = 60 mm		H = 80 mm		H = 100 mm		H = 150 mm		H = 200 mm	
		A min. = 85 [mm]	A max. = 115 [mm]	A min. = 105 [mm]	A max. = 135 [mm]	A min. = 125 [mm]	A max. = 155 [mm]	A min. = 175 [mm]	A max. = 205 [mm]	A min. = 225 [mm]	A max. = 255 [mm]
		B min. = 235 [mm]	B max. = 265 [mm]	B min. = 255 [mm]	B max. = 285 [mm]	B min. = 275 [mm]	B max. = 305 [mm]	B min. = 325 [mm]	B max. = 355 [mm]	B min. = 375 [mm]	B max. = 405 [mm]
110	Horizontal	4.5	4.7	4.8	4.9	4.9	5.1	5.0	5.6	5.6	6.4

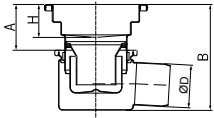
Notes:

A min. and B min. values can be reduced by 15 mm if earth screw is removed and channel outlet spigot shortened. Please be aware that channel outlet pipe shortening affects the A max. and B max. values.

Flow rates measured according to EN 1253. Flow rate performance without silt basket (flow rates with empty silt basket are approximately 15% lower than the values stated)

ACO channel, ACO gully EG150

			
Outlet diameter	Outlet position	Flow rate [l/s]	
ØD	Vertical	H = 60 mm	
		A min. = 60	A max. = 85
		B min. = 165	B max. = 190
75	Vertical	1.3	1.5
110		1.3	1.5

			
Outlet diameter	Outlet position	Flow rate [l/s]	
ØD	Horizontal	H = 60 mm	
		A min. = 60	A max. = 85
		B min. = 165	B max. = 190
75	Horizontal	1.3	1.5

Notes:

A min. and B min. values can be reduced by 15 mm if earth screw is removed and channel outlet spigot shortened. Please be aware that channel outlet pipe shortening affects the A max. and B max. values.

Flow rates measured according to EN 1253. Flow rate performance without silt basket (flow rates with empty silt basket are approximately 15% lower than the values stated)

Notes

A large grid of graph paper for taking notes, consisting of 20 columns and 30 rows of small squares.