

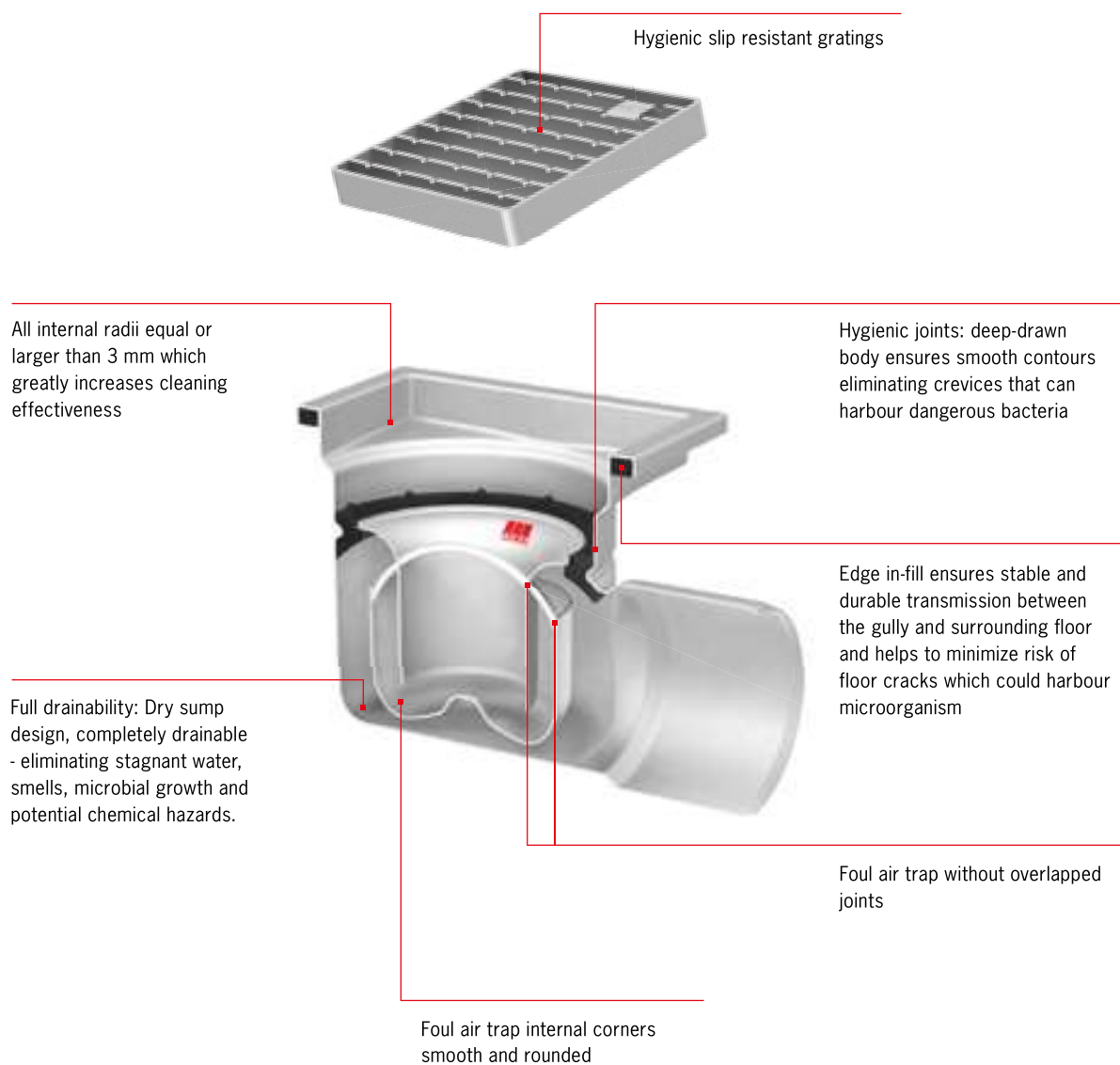
ACO gully		Page
Introduction	Hygienic design	18
	System overview	19
ACO hygienic gully 142	Fixed height – vertical outlet	20
	Fixed height – horizontal outlet	22
	Telescopic – vertical outlet	24
	Telescopic – horizontal outlet	27
	Gully top – telescopic	30
	Raising piece – telescopic	33
	Fixed height – vertical outlet	34
ACO hygienic gully 157	Fixed height – horizontal outlet	37
	Telescopic – vertical outlet	39
	Telescopic – horizontal outlet	42
	Gully top – telescopic	45
	Raising piece – telescopic	47
	Fixed height – vertical outlet	48
ACO hygienic gully 218	Fixed height – horizontal outlet	50
	Telescopic – vertical outlet	51
	Telescopic – horizontal outlet	54
	Gully top – telescopic	56
	Raising piece – telescopic	58
	Telescopic – vertical outlet	59
ACO gully EG150	Telescopic – horizontal outlet	60
	Gratings for gully top 200 x 200	61
Gratings	Gratings for gully top 250 x 250	64
	Gratings for gully top 300 x 300	67
	Gratings for vinyl top ø170	70
	Gratings for vinyl top ø222	71
	Accessories for ACO hygienic gully 142	72
Accessories	Accessories for ACO hygienic gully 157	73
	Accessories for ACO hygienic gully 218	74
	Accessories for ACO gully EG150	75
	Flow rates and construction heights	76

Hygienic design

ACO hygienic drainage fulfils strongest hygienic requirements to prevent harmful bacterial contamination. We apply the relevant hygienic design principles reserved for food processing equipment EN 1672, EN ISO 14159, EHEDG document No. 8, 13, 44.

ACO gully hygienic features:

- Full drainability
- Internal radii equal or larger than 3 mm
- Hygienic joints
- Edge infill
- Stainless steel grade min. 1.4301 according to EN 10088 (304 according to AISI)
- Fully pickled and passivated



System overview

ACO gully range is available in a number of versions featuring different flow rates, grating designs, sizes and spigot outlet diameters to suit various applications.

The floor construction and depth together with the use of any waterproofing membrane play an important role in the selection of the appropriate type of gully.

The ACO gully range is available with vertical or horizontal spigot outlets.

Fixed height gullies are convenient and free-standing units which are suitable for cementitious, resin or tiled floors.

Telescopic gullies can be installed either with a gully top or ACO channel in most flooring constructions, including floors with waterproofing membranes.

Fixed height solution



- 1** Gratings
- 2** Silt basket
- 3** Foul air trap
- 4** Foul air trap support
- 5** ACO gully body
- 6** Gully top
- 7** Friction ring
- 8** ACO EasyFix levelling feet

Telescopic solution



Fixed height – vertical outlet

Product information

Fixed height gully can be specified as a point drainage in areas where waterproofing is independent of the gully body. Those gullies can be combined with different grates depending on requested load class.

HygieneFirst features

- Hygienic design following EN 1672, EN ISO 14159 and EHEDG document No. 8, 13 and 44
 - Available in 1.4301 (304) or 1.4404 (316L) grades of stainless steel
 - Fully pickled and passivated
 - Fully removable and easily cleanable stainless steel foul air trap (FAT)
 - Protective cover available.
- See page 224 for more details

- Tested and certified according to EN 1253
- Fire tested and certified solution available for classes EI 90 – EI 180 (EN 13 501-2)
- Outlet diameter DN 70/DN 100 (75 mm or 110 mm O.D.)
- Gully top frame size: 200 x 200 mm
- Wide range of gratings for load class L 15, R 50, M 125 or N 250 (EN 1253) including slip resistant solution
- Adjustable EasyFix levelling feet



Order information

	Top size □ [mm]	Outlet diameter ø [mm]	Foul air trap	Material	Item number
Standard edge					
	200 x 200	75	Without FAT	1.4301	414700
				1.4404	414800
			With FAT	1.4301	414701
				1.4404	414801
	200 x 200	110	Without FAT	1.4301	414702
				1.4404	414802
			With FAT	1.4301	414703
				1.4404	414803

	Top size □ [mm]	Outlet diameter ∅ [mm]	Foul air trap	Material	Item number
Extended edge					
	200 x 200	75	With FAT	1.4301	414744
				1.4404	414844
	200 x 200	110	With FAT	1.4301	414745
				1.4404	414845

Fixed height – horizontal outlet

Product information

Fixed height gully can be specified as a point drainage in areas where waterproofing is independent of the gully body. Those gullies can be combined with different grates depending on requested load class.

HygieneFirst features

- Hygienic design following EN 1672, EN ISO 14159 and EHEDG document No. 8, 13 and 44
- Available in 1.4301 (304) or 1.4404 (316L) grades of stainless steel
- Fully pickled and passivated
- Fully removable and easily cleanable stainless steel foul air trap (FAT)
- Protective cover available.
See page 224 for more details

- Tested and certified according to EN 1253
- Outlet diameter DN 70/DN 100 (75 mm or 110 mm O.D.)
- Gully top frame size: 200 x 200 mm
- Wide range of gratings for load class L 15, R 50, M 125 or N 250 (EN 1253) including slip resistant solution
- Adjustable EasyFix levelling feet



Order information

	Top size □ [mm]	Outlet diameter ø [mm]	Foul air trap	Material	Item number
Standard edge					
	200 x 200	75	Without FAT	1.4301	414704
				1.4404	414804
			With FAT	1.4301	414705
				1.4404	414805
	200 x 200	110	Without FAT	1.4301	414706
				1.4404	414806
			With FAT	1.4301	414707
				1.4404	414807

ACO hygienic gully 142
Fixed height – horizontal outlet

	Top size □ [mm]	Outlet diameter ∅ [mm]	Foul air trap	Material	Item number
Extended edge					
	200 x 200	75	With FAT	1.4301	414746
				1.4404	414846
	200 x 200	110	With FAT	1.4301	414747
				1.4404	414847

ACO gully

Telescopic – vertical outlet

Product information

Telescopic gully can be combined either with gully tops or with linear drainage channels.

Telescopic solution enables height and rotational adjustment of connected gully top or channel. Gullies are equipped with flanges for connection of waterproof membrane.

HygieneFirst features

- Hygienic design following EN 1672, EN ISO 14159 and EHEDG document No. 8, 13 and 44
- Available in 1.4301 (304) or 1.4404 (316L) grades of stainless steel
- Fully pickled and passivated
- Fully removable and easily cleanable stainless steel foul air trap (FAT)

- Tested and certified according to EN 1253
- Fire tested and certified solution available for classes EI 90 – EI 180 (EN 13 501-2)
- Suitable for all floor types including vinyl flooring
- Outlet diameter DN 70/DN 100 (75 mm or 110 mm O.D.)
- Gully body with location flange or integrated membrane flange for either adhesive bonding or mechanical clamp
- Telescopic friction ring included



Order information

	Type of flange	Outlet diameter ø [mm]	Foul air trap	Material	Item number
	Location flange	75	Without FAT	1.4301	414708
				1.4404	414808
			With FAT	1.4301	414709
				1.4404	414809

	Type of flange	Outlet diameter ø [mm]	Foul air trap	Material	Item number
	Adhesive bonding flange	75	Without FAT	1.4301	414710
				1.4404	414810
			With FAT	1.4301	414711
				1.4404	414811
	Mechanical clamping flange	75	Without FAT	1.4301	414712
				1.4404	414812
			With FAT	1.4301	414713
				1.4404	414813
	Location flange	110	Without FAT	1.4301	414714
				1.4404	414814
			With FAT	1.4301	414715
				1.4404	414815

ACO hygienic gully 142
Telescopic – vertical outlet

ACO gully

	Type of flange	Outlet diameter ø [mm]	Foul air trap	Material	Item number
	Adhesive bonding flange	110	Without FAT	1.4301	414716
				1.4404	414816
			With FAT	1.4301	414717
				1.4404	414817
	Mechanical clamping flange	110	Without FAT	1.4301	414718
				1.4404	414818
			With FAT	1.4301	414719
				1.4404	414819

Telescopic – horizontal outlet

Product information

Telescopic gully can be combined either with ACO gully top or ACO channel in most flooring constructions.

Telescopic solution enables height and rotational adjustment of connected gully top or channel. Gullies are equipped with flanges for connection of waterproof membrane.

- Tested and certified according to EN 1253
- Suitable for all floor types including vinyl flooring
- Outlet diameter DN 70/DN 100 (75 mm or 110 mm O.D.)
- Gully body with location flange or integrated membrane flange for either adhesive bonding or mechanical clamp
- Telescopic friction ring included
- Adjustable EasyFix levelling feet



HygieneFirst features

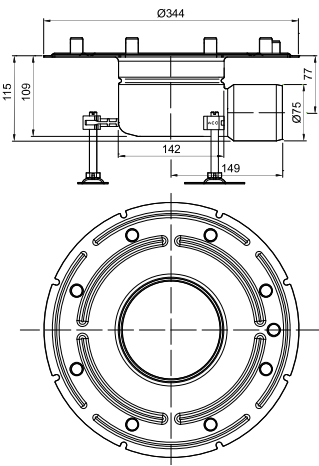
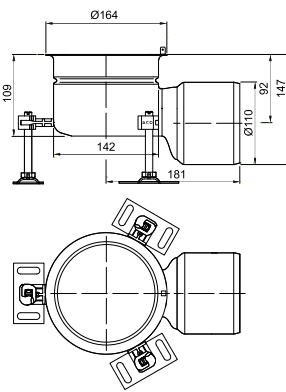
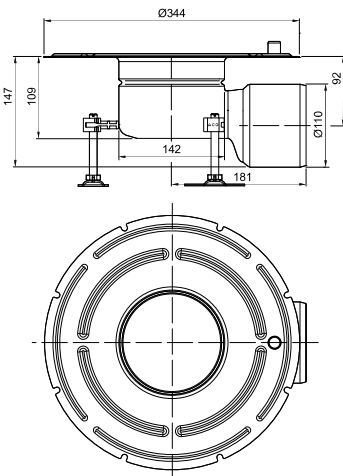
- Hygienic design following EN 1672, EN ISO 14159 and EHEDG document No. 8, 13 and 44
- Available in 1.4301 (304) or 1.4404 (316L) grades of stainless steel
- Fully pickled and passivated
- Fully removable and easily cleanable stainless steel foul air trap (FAT)

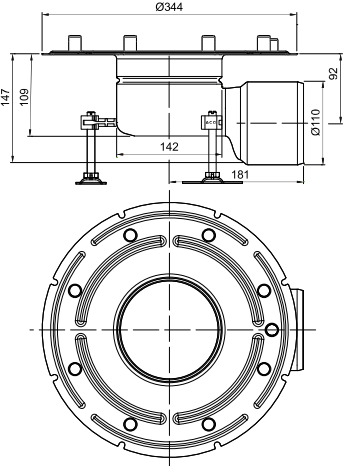
Order information

	Type of flange	Outlet diameter ø [mm]	Foul air trap	Material	Item number
	With location flange	75	Without FAT	1.4301	414720
				1.4404	414820
			With FAT	1.4301	414721
				1.4404	414821
	With adhesive bonding flange	75	Without FAT	1.4301	414722
				1.4404	414822
			With FAT	1.4301	414723
				1.4404	414823

ACO hygienic gully 142
Telescopic – horizontal outlet

ACO gully

	Type of flange	Outlet diameter ø [mm]	Foul air trap	Material	Item number
	With mechanical clamping flange	75	Without FAT	1.4301	414724
				1.4404	414824
			With FAT	1.4301	414725
				1.4404	414825
	With location flange	110	Without FAT	1.4301	414726
				1.4404	414826
			With FAT	1.4301	414727
				1.4404	414827
	With adhesive bonding flange	110	Without FAT	1.4301	414728
				1.4404	414828
			With FAT	1.4301	414729
				1.4404	414829

	Type of flange	Outlet diameter ø [mm]	Foul air trap	Material	Item number
	With mechanical clamping flange	110	Without FAT	1.4301	414730
				1.4404	414830
			With FAT	1.4301	414731
				1.4404	414831

Gully top – telescopic

Product information

Gully top can be combined with telescopic gully. Different gully top types are available depending on floor structure.

HygieneFirst features

- Hygienic design following EN 1672, EN ISO 14159 and EHEDG document No. 8, 13 and 44
- Available in 1.4301 (304) or 1.4404 (316L) grades of stainless steel
- Fully pickled and passivated
- Protective cover available.
See page 224 for more details

- Tested and certified according to EN 1253
- Gully top frame size: 200 x 200 mm
- Wide range of gratings for load class L 15, R 50, M 125 or N 250 (EN 1253) including slip resistant solution
- Adjustable EasyFix levelling feet



Order information

	Gully top type	Gully top size □ [mm]	Material	Item number
	Standard edge	200 x 200	1.4301	414732
			1.4404	414832
	Extended edge	200 x 200	1.4301	414734
			1.4404	414834

	Gully top type	Gully top size □ [mm]	Material	Item number
	Extended top with drainage holes	200 x 200	1.4301	414735
			1.4404	414835
	Plastic top with stainless steel grating (K3)	149 x 149	Plastic	414903 *
	MEKU top with stainless steel grating (K3)	148 x 148	Plastic	414904 *
	Square top with stainless steel grating (K3)	148 x 148	1.4301	414905 *

* Hygienic design following EN 1672, EN ISO 14159 and EHEDG document No. 8, 13, 44 not applied.

ACO hygienic gully 142
Gully top – telescopic

ACO gully

	Gully top type	Gully top size □ [mm]	Material	Item number
	Plastic top with stainless steel grating (K3)	150 x 150	Plastic	414906 *
	Plastic thin-bed top with sliding frame and stainless steel grating (K3)	148 x 148	Plastic	414907 *
	Square top with sanded flange and stainless steel grating (K3)	148 x 148	1.4301	414909 *

* Hygienic design following EN 1672, EN ISO 14159 and EHEDG document No. 8, 13, 44 not applied.

Raising piece – telescopic

Product information

Raising piece can be used for floor structures where multi waterproofing is needed (heat insulation) or where construction height of the slab needs to be increased.

- Tested and certified according to EN 1253
- Suitable for all floor types including vinyl flooring
- Variety of flanges for membranes
- Telescopic friction ring included



HygieneFirst features

- Hygienic design following EN 1672, EN ISO 14159 and EHEDG document No. 8, 13 and 44
- Available in 1.4301 (304) or 1.4404 (316L) grades of stainless steel
- Fully pickled and passivated

Order information

	Type of flange	Material	Item number
	Location flange	1.4301	414736
		1.4404	414836
	Adhesive bonding flange	1.4301	414737
		1.4404	414837
	Mechanical clamping flange	1.4301	414738
		1.4404	414838

Fixed height – vertical outlet

Product information

Fixed height gully can be specified as a point drainage in areas where waterproofing is independent of the gully body. Those gullies can be combined with different grates depending on requested load class.

HygieneFirst features

- Hygienic design following EN 1672, EN ISO 14159 and EHEDG document No. 8, 13 and 44
- Available in 1.4301 (304) or 1.4404 (316L) grades of stainless steel
- Fully pickled and passivated
- Fully removable and easily cleanable stainless steel foul air trap (FAT)
- Protective cover available.
See page 224 for more details

- Tested and certified according to EN 1253
- Fire tested and certified solution available for classes EI 90 – EI 180 (EN 13 501-2)
- Outlet diameter DN 70/DN 100 (75 mm or 110 mm O.D.)
- Gully top frame size: 200 x 200 mm and 250 x 250 mm
- Wide range of gratings for load class L 15, R 50, M 125 or N 250 (EN 1253) including slip resistant solution
- Adjustable EasyFix levelling feet



Order information

	Top size □ [mm]	Outlet diameter ø [mm]	Foul air trap	Material	Item number
Standard edge					
	200 x 200	75	Without FAT	1.4301	408000
				1.4404	408100
			With FAT	1.4301	408001
				1.4404	408101

ACO hygienic gully 157
Fixed height – vertical outlet

	Top size □ [mm]	Outlet diameter ø [mm]	Foul air trap	Material	Item number
	250 x 250	75	Without FAT	1.4301	408016
				1.4404	408116
			With FAT	1.4301	408017
				1.4404	408117
	200 x 200	110	Without FAT	1.4301	408002
				1.4404	408102
			With FAT	1.4301	408003
				1.4404	408103
	250 x 250	110	Without FAT	1.4301	408018
				1.4404	408118
			With FAT	1.4301	408019
				1.4404	408119

ACO gully

ACO hygienic gully 157
Fixed height – vertical outlet

ACO gully

	Top size □ [mm]	Outlet diameter ∅ [mm]	Foul air trap	Material	Item number
Extended edge					
	200 x 200	75	With FAT	1.4301	408047
				1.4404	408147
	200 x 200	110	With FAT	1.4301	408099
				1.4404	408199

Fixed height – horizontal outlet

Product information

Fixed height gully can be specified as a point drainage in areas where waterproofing is independent of the gully body.

Those gullies can be combined with different grates depending on requested load class.

HygieneFirst features

- Hygienic design following EN 1672, EN ISO 14159 and EHEDG document No. 8, 13 and 44
- Available in 1.4301 (304) or 1.4404 (316L) grades of stainless steel
- Fully pickled and passivated
- Fully removable and easily cleanable stainless steel foul air trap (FAT)
- Protective cover available.
 See page 224 for more details

- Tested and certified according to EN 1253
- Outlet diameter DN 70/DN 100 (75 mm or 110 mm O.D.)
- Gully top frame size: 200 x 200 mm and 250 x 250 mm
- Wide range of gratings for load class L 15, R 50, M 125 or N 250 (EN 1253) including slip resistant solution
- Adjustable EasyFix levelling feet



ACO gully

Order information

	Top size □ [mm]	Outlet diameter ø [mm]	Foul air trap	Material	Item number
Standard edge					
	200 x 200	75	Without FAT	1.4301	408008
				1.4404	408108
			With FAT	1.4301	408009
				1.4404	408109
	250 x 250	75	Without FAT	1.4301	408024
				1.4404	408124
			With FAT	1.4301	408025
				1.4404	408125

ACO hygienic gully 157
Fixed height – horizontal outlet

ACO gully

	Top size □ [mm]	Outlet diameter ∅ [mm]	Foul air trap	Material	Item number
	200 x 200	110	Without FAT	1.4301	408010
				1.4404	408110
			With FAT	1.4301	408011
				1.4404	408111
	250 x 250	110	Without FAT	1.4301	408026
				1.4404	408126
			With FAT	1.4301	408027
				1.4404	408127
Extended edge					
	200 x 200	75	With FAT	1.4301	408014
				1.4404	408114
	200 x 200	110	With FAT	1.4301	408015
				1.4404	408115

Telescopic – vertical outlet

Product information

Telescopic gully can be combined either with gully top or ACO channel in most flooring constructions.

Telescopic solution enables height and rotational adjustment of connected gully top or channel. Gullies are equipped with flanges for connection of waterproof membrane.

HygieneFirst features

- Tested and certified according to EN 1253
 - Fire tested and certified solution available for classes EI 90 – EI 180 (EN 13 501-2)
 - Suitable for all floor types including vinyl flooring
 - Outlet diameter DN 70/DN 100 (75 mm or 110 mm O.D.)
 - Gully body with location flange or integrated membrane flange for either adhesive bonding or mechanical clamp
 - Telescopic friction ring included
- Hygienic design following EN 1672, EN ISO 14159 and EHEDG document No. 8, 13 and 44
 - Available in 1.4301 (304) or 1.4404 (316L) grades of stainless steel
 - Fully pickled and passivated
 - Fully removable and easily cleanable stainless steel foul air trap (FAT)



ACO gully

Order information

	Type of flange	Outlet diameter ø [mm]	Foul air trap	Material	Item number
	Location flange	75	Without FAT	1.4301	408048
				1.4404	408148
			With FAT	1.4301	408049
				1.4404	408149

ACO hygienic gully 157
Telescopic – vertical outlet

ACO gully

	Type of flange	Outlet diameter ø [mm]	Foul air trap	Material	Item number
	Adhesive bonding flange	75	Without FAT	1.4301	408050
				1.4404	408150
			With FAT	1.4301	408051
				1.4404	408151
	Mechanical clamping flange	75	Without FAT	1.4301	408052
				1.4404	408152
			With FAT	1.4301	408053
				1.4404	408153
	Location flange	110	Without FAT	1.4301	408054
				1.4404	408154
			With FAT	1.4301	408055
				1.4404	408155

	Type of flange	Outlet diameter ø [mm]	Foul air trap	Material	Item number
	Adhesive bonding flange	110	Without FAT	1.4301	408056
				1.4404	408156
			With FAT	1.4301	408057
				1.4404	408157
	Mechanical clamping flange	110	Without FAT	1.4301	408058
				1.4404	408158
			With FAT	1.4301	408059
				1.4404	408159

Telescopic – horizontal outlet

Product information

Telescopic gully can be combined either with gully top or ACO channel in most flooring constructions.

Telescopic solution enables height and rotational adjustment of connected gully top or channel. Gullies are equipped with flanges for connection of waterproof membrane.

- Tested and certified according to EN 1253
- Suitable for all floor types including vinyl flooring
- Outlet diameter DN 70/DN 100 (75 mm or 110 mm O.D.)
- Gully body with location flange or integrated membrane flange for either adhesive bonding or mechanical clamp
- Telescopic friction ring included
- Adjustable EasyFix levelling feet



HygieneFirst features

- Hygienic design following EN 1672, EN ISO 14159 and EHEDG document No. 8, 13 and 44
- Available in 1.4301 (304) or 1.4404 (316L) grades of stainless steel
- Fully pickled and passivated
- Fully removable and easily cleanable stainless steel foul air trap (FAT)

Order information

	Type of flange	Outlet diameter ø [mm]	Foul air trap	Material	Item number
	Location flange	75	Without FAT	1.4301	408072
				1.4404	408172
			With FAT	1.4301	408073
				1.4404	408173

	Type of flange	Outlet diameter ø [mm]	Foul air trap	Material	Item number
	Adhesive bonding flange	75	Without FAT	1.4301	408074
				1.4404	408174
			With FAT	1.4301	408075
				1.4404	408175
	Mechanical clamping flange	75	Without FAT	1.4301	408076
				1.4404	408176
			With FAT	1.4301	408077
				1.4404	408177
	Location flange	110	Without FAT	1.4301	408078
				1.4404	408178
			With FAT	1.4301	408079
				1.4404	408179

ACO hygienic gully 157
Telescopic – horizontal outlet

ACO gully

	Type of flange	Outlet diameter ø [mm]	Foul air trap	Material	Item number
	Adhesive bonding flange	110	Without FAT	1.4301	408080
				1.4404	408180
			With FAT	1.4301	408081
				1.4404	408181
	Mechanical clamping flange	110	Without FAT	1.4301	408082
				1.4404	408182
			With FAT	1.4301	408083
				1.4404	408183

Gully top – telescopic

Product information

Gully top can be combined with telescopic gully. Different gully top type is available depending on floor structure.

HygieneFirst features

- Hygienic design following EN 1672, EN ISO 14159 and EHEDG document No. 8, 13 and 44
 - Available in grades 1.4301 (304) or 1.4401 (316L) of stainless steel
 - Fully pickled and passivated
 - Protective cover available.
- See page 224 for more details

- Tested and certified according to EN 1253
- Gully top frame size: 200 x 200 mm and 250 x 250 mm
- Wide range of gratings for load class L 15, R 50, M 125 or N 250 (EN 1253) including slip resistant solution
- Adjustable EasyFix levelling feet



ACO gully

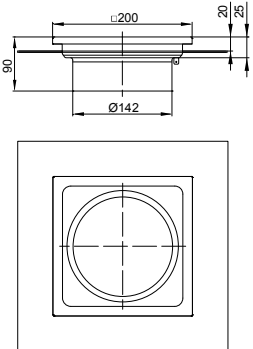
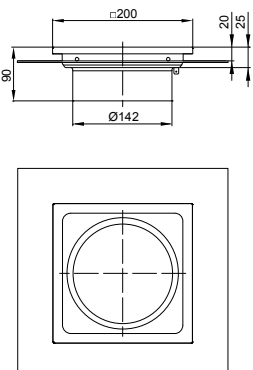
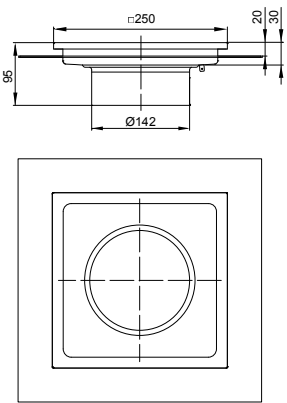
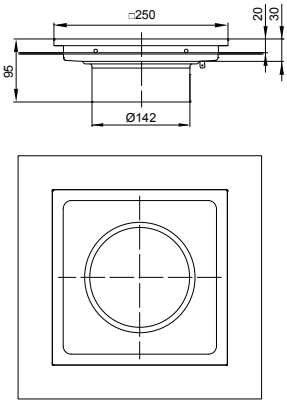
Order information

	Gully top type	Gully top size [mm]	Material	Item number
	Standard edge	□ 200 x 200	1.4301	408208
			1.4404	408218
	Standard edge	□ 250 x 250	1.4301	408248
			1.4404	408258
	Vinyl edge	ø289	1.4301	408240 *
			1.4404	408250 *

* Hygienic design following EN 1672, EN ISO 14159 and EHEDG document No. 8, 13, 44 not applied.

ACO hygienic gully 157
Telescopic – horizontal outlet

ACO gully

	Gully top type	Gully top size [mm]	Material	Item number
	Extended edge	□ 200 x 200	1.4301	408241
			1.4404	408251
	Extended edge with drainage holes	□ 200 x 200	1.4301	408244
			1.4404	408254
	Extended edge	□ 250 x 250	1.4301	408245
			1.4404	408255
	Extended edge with drainage holes	□ 250 x 250	1.4301	408246
			1.4404	408256

Raising piece – telescopic

Product information

Raising piece can be used for floor structures where multiple waterproofing is needed (heat insulation) or where construction height of the slab needs to be increased.

- Tested and certified according to EN 1253
- Suitable for all floor types including vinyl flooring
- Variety of flanges for membranes
- Telescopic friction ring included



HygieneFirst features

- Hygienic design following EN 1672, EN ISO 14159 and EHEDG document No. 8, 13 and 44
- Available in 1.4301 (304) or 1.4404 (316L) grades of stainless steel
- Fully pickled and passivated

Order information

	Type of flange	Material	Item number
	Location flange	1.4301	408249
		1.4404	408259
	Adhesive bonding flange	1.4301	408206
		1.4404	408216
	Mechanical clamping flange	1.4301	408207
		1.4404	408217

Fixed height – vertical outlet

Product information

Fixed height gully can be specified as a point drainage in areas where waterproofing is independent of the gully body. Those gullies can be combined with different grates depending on requested load class.

HygieneFirst features

- Hygienic design following EN 1672, EN ISO 14159 and EHEDG document No. 8, 13 and 44
- Available in 1.4301 (304) or 1.4404 (316L) grades of stainless steel
- Fully pickled and passivated
- Fully removable and easily cleanable stainless steel foul air trap (FAT)
- Protective cover available.
See page 224 for more details

- Tested and certified according to EN 1253
- Fire tested and certified solution available for classes EI 90 – EI 180 (EN 13 501-2)
- Outlet diameter DN 100/DN 150 (110 mm or 160 mm O.D.)
- Gully top frame size: 300 x 300 mm
- Wide range of gratings for load class L 15, R 50, M 125 or N 250 (EN 1253) including slip resistant solution
- Adjustable EasyFix levelling feet



Order information

	Top size □ [mm]	Outlet diameter ø [mm]	Foul air trap	Material	Item number
Standard edge					
	300 x 300	110	Without FAT	1.4301	408004
				1.4404	408104
			With FAT	1.4301	408005
				1.4404	408105

ACO hygienic gully 218
Fixed height – vertical outlet

	Top size □ [mm]	Outlet diameter ø [mm]	Foul air trap	Material	Item number
	300 x 300	160	Without FAT	1.4301	408006
				1.4404	408106
			With FAT	1.4301	408007
				1.4404	408107

ACO gully

Fixed height – horizontal outlet

Product information

Fixed height gully can be specified as a point drainage in areas where waterproofing is independent of the gully body. Those gullies can be combined with different grates depending on requested load class.

- Tested and certified according to EN 1253
- Outlet diameter DN 100/DN 150 (110 mm or 160 mm O.D.)
- Gully top frame size: 300 x 300 mm
- Wide range of gratings for load class L 15, R 50, M 125 or N 250 (EN 1253) including slip resistant solution
- Adjustable EasyFix levelling feet



HygieneFirst features

- Hygienic design following EN 1672, EN ISO 14159 and EHEDG document No. 8, 13 and 44
- Available in 1.4301 (304) or 1.4404 (316L) grades of stainless steel
- Fully pickled and passivated
- Fully removable and easily cleanable stainless steel foul air trap (FAT)
- Protective cover available.
See page 224 for more details

Order information

	Top size □ [mm]	Outlet diameter ø [mm]	Foul air trap	Material	Item number
Standard edge					
	300 x 300	110	Without FAT	1.4301	408012
				1.4404	408112
			With FAT	1.4301	408013
				1.4404	408113

Telescopic – vertical outlet

Product information

Telescopic gully can be combined either with ACO gully top or ACO channel in most flooring constructions.

Telescopic solution enables height and rotational adjustment of connected gully top or channel. Gullies are equipped with flanges for connection of waterproof membrane.

HygieneFirst features

- Tested and certified according to EN 1253
 - Fire tested and certified solution available for classes EI 90 – EI 180 (EN 13 501-2)
 - Suitable for all floor types including vinyl flooring
 - Outlet diameter DN 100/DN 160 (110 mm or 160 mm O.D.)
 - Gully body with location flange or integrated membrane flange for either adhesive bonding or mechanical clamp
 - Telescopic friction ring included
- Hygienic design following EN 1672, EN ISO 14159 and EHEDG document No. 8, 13 and 44
 - Available in 1.4301 (304) or 1.4404 (316L) grades of stainless steel
 - Fully pickled and passivated
 - Fully removable and easily cleanable stainless steel foul air trap (FAT)



ACO gully

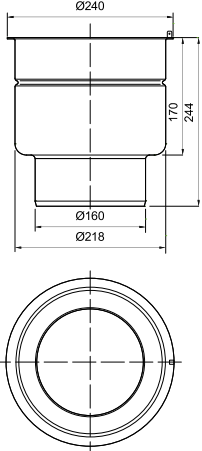
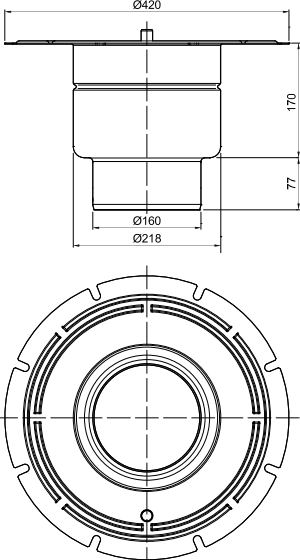
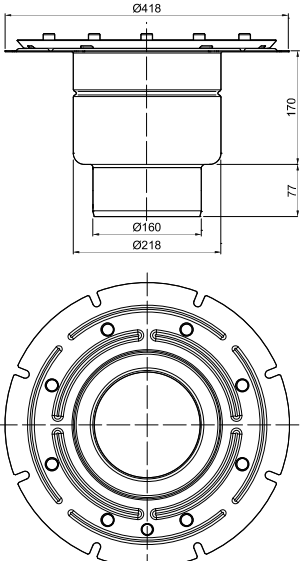
Order information

	Type of flange	Outlet diameter ø [mm]	Foul air trap	Material	Item number
	Location flange	110	Without FAT	1.4301	408060
				1.4404	408160
			With FAT	1.4301	408061
				1.4404	408161

ACO hygienic gully 218
Telescopic - vertical outlet

ACO gully

	Type of flange	Outlet diameter Ø [mm]	Foul air trap	Material	Item number
	Adhesive bonding flange	110	Without FAT	1.4301	408062
				1.4404	408162
			With FAT	1.4301	408063
				1.4404	408163
	Mechanical clamping flange	110	Without FAT	1.4301	408064
				1.4404	408164
			With FAT	1.4301	408065
				1.4404	408165

	Type of flange	Outlet diameter ø [mm]	Foul air trap	Material	Item number
	Location flange	160	Without FAT	1.4301	408066
				1.4404	408166
			With FAT	1.4301	408067
				1.4404	408167
	Adhesive bonding flange	160	Without FAT	1.4301	408068
				1.4404	408168
			With FAT	1.4301	408069
				1.4404	408169
	Mechanical clamping flange	160	Without FAT	1.4301	408070
				1.4404	408170
			With FAT	1.4301	408071
				1.4404	408171

ACO gully

Telescopic – horizontal outlet

Product information

Telescopic gully can be combined either with gully top or ACO channel in most flooring constructions.

Telescopic solution enables height and rotational adjustment of connected gully top or channel. Gullies are equipped with flanges for connection of waterproof membrane.

- Tested and certified according to EN 1253
- Suitable for all floor types including vinyl flooring
- Outlet diameter DN 100/DN 160 (110 mm or 160 mm O.D.)
- Gully body with location flange or integrated membrane flange for either adhesive bonding or mechanical clamp
- Telescopic friction ring included
- Adjustable EasyFix levelling feet



HygieneFirst features

- Hygienic design following EN 1672, EN ISO 14159 and EHEDG document No. 8, 13 and 44
- Available in 1.4301 (304) or 1.4404 (316L) grades of stainless steel
- Fully pickled and passivated
- Fully removable and easily cleanable stainless steel foul air trap (FAT)

Order information

	Type of flange	Outlet diameter ø [mm]	Foul air trap	Material	Item number
	Location flange	110	Without FAT	1.4301	408084
				1.4404	408184
			With FAT	1.4301	408085
				1.4404	408185

	Type of flange	Outlet diameter ø [mm]	Foul air trap	Material	Item number
	Adhesive bonding flange	110	Without FAT	1.4301	408086
				1.4404	408186
			With FAT	1.4301	408087
				1.4404	408187
	Mechanical clamping flange	110	Without FAT	1.4301	408088
				1.4404	408188
			With FAT	1.4301	408089
				1.4404	408189

Gully top – telescopic

Product information

Gully top can be combined with telescopic gully. Different gully top type is available depending on floor structure.

HygieneFirst features

- Hygienic design following EN 1672, EN ISO 14159 and EHEDG document No. 8, 13 and 44
- Available in 1.4301 (304) or 1.4404 (316L) grades of stainless steel
- Fully pickled and passivated
- Protective cover available.
See page 224 for more details

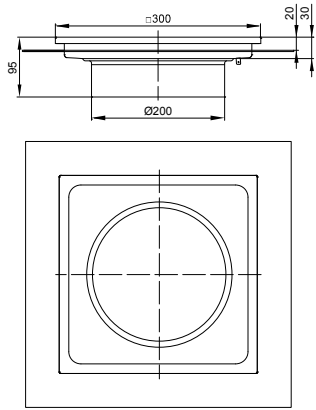
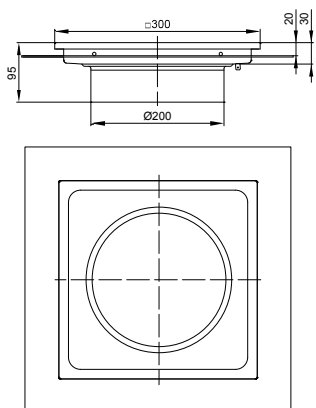
- Tested and certified according to EN 1253
- Gully top frame size: 300 x 300 mm
- Wide range of gratings for load class L 15, R 50, M 125 or N 250 (EN 1253) including slip resistant solution
- Adjustable EasyFix levelling feet



Order information

	Gully Top type	Gully Top size ø [mm]	Material	Item number
	Standard edge	300 x 300	1.4301	408228
			1.4404	408238
	Vinyl edge	ø350	1.4301	408242 *
			1.4404	408252 *

* Hygienic design following EN 1672, EN ISO 14159 and EHEDG document No. 8, 13, 44 not applied.

	Gully Top type	Gully Top size ø [mm]	Material	Item number
	Extended edge	300 x 300	1.4301	408243
			1.4404	408253
	Extended edge with drainage holes	300 x 300	1.4301	408247
			1.4404	408257

ACO gully

Raising piece – telescopic

Product information

Raising piece can be used for floor structures where multiple waterproofing is needed (heat insulation) or where construction height of the slab needs to be increased.

- Tested and certified according to EN 1253
- Suitable for all floor types including vinyl flooring
- Variety of flanges for membranes
- Telescopic friction ring included



HygieneFirst features

- Hygienic design following EN 1672, EN ISO 14159 and EHEDG document No. 8, 13 and 44
- Available in 1.4301 (304) or 1.4404 (316L) grades of stainless steel
- Fully pickled and passivated

Order information

	Type of flange	Material	Item number
	Location flange	1.4301	408209
		1.4404	408219
	Adhesive bonding flange	1.4301	408226
		1.4404	408236
	Mechanical clamping flange	1.4301	408227
		1.4404	408237

Telescopic – vertical outlet

Product information

ACO gully EG150 can be combined with ACO channel with outlet diameter 110 mm. Foul air trap needs to be ordered separately.

- Stainless steel construction for durability and long life



Order information

	FAT	Material	Item number
	Without FAT	1.4301	* 405066
		1.4404	* 402663
	Without FAT	1.4301	* 408805
		1.4404	* 405312

* Hygienic design following EN 1672, EN ISO 14159 and EHEDG document No. 8, 13, 44 not applied.

Telescopic – horizontal outlet

Product information

ACO gully EG150 can be combined with ACO channel with outlet diameter 110 mm. Foul air trap needs to be ordered separately.

- Stainless steel construction for durability and long life



Order information

	FAT	Material	Item number
	Without FAT	1.4301	406677 *
		1.4404	405311 *

* Hygienic design following EN 1672, EN ISO 14159 and EHEDG document No. 8, 13, 44 not applied.

Gratings for gully top 200 x 200 mm

Product information

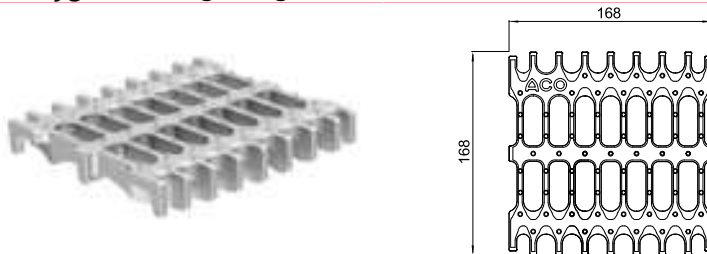
Variety of grate types is available depending on application and requested load class. For applications with high hygienic demands ladder grate or cast grate should be selected.

- Fits to stainless steel gully, fully compliant to EN 1253 and NSF International
- Gully top frame size: 200 x 200 mm
- Range of gratings suitable to load class L 15, R 50, M 125 or N 250 (EN 1253)
- Slip resistant solution available

HygieneFirst features

- Hygienic design following EN 1672, EN ISO 14159 and EHEDG document No. 8, 13 and 44
- Available in 1.4301 (304) or 1.4404 (316L) grades of stainless steel
- Fully pickled and passivated

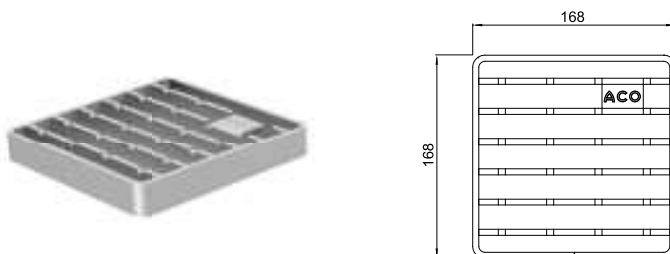
ACO hygienic cast grating



Load class	Slip resistant	Material	Item number
M 125	Yes	1.4301	416942

Note: Surface electropolished

ACO hygienic ladder grating



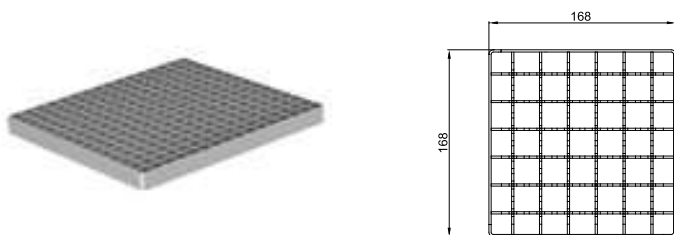
Load class	Slip resistant	Material	Item number
R 50	Yes	1.4301	416912
		1.4404	416913
M 125	Yes	1.4301	408093
		1.4404	408193
N 250	No	1.4301	408043
		1.4404	408143

Note: Surface electropolished

ACO gully - gratings

Gratings for gully top 200 x 200 mm

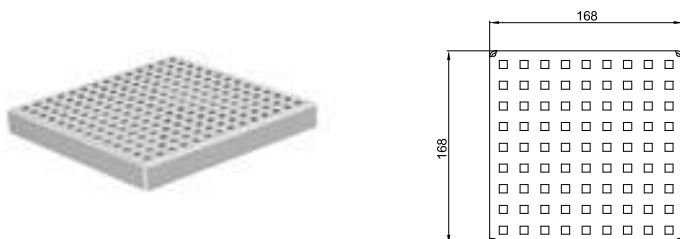
ACO mesh grating



Load class	Slip resistant	Material	Item number
L 15	Yes	1.4301	408090 *
		1.4404	408190 *
	No	1.4301	408091 *
		1.4404	408191 *

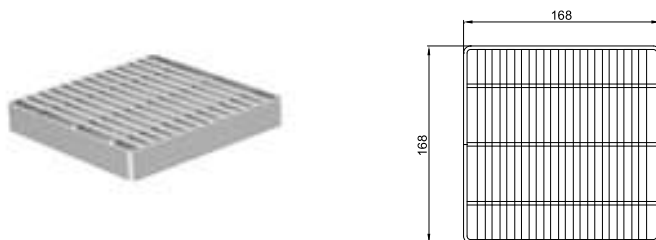
Note: Surface electropolished

ACO quadrato grating



Load class	Slip resistant	Material	Item number
L 15	No	1.4301	408092 *
		1.4404	408192 *

ACO heelsafe grating



Load class	Slip resistant	Material	Item number
L 15	No	1.4301	408022 *
		1.4404	408122 *

* Hygienic design following EN 1672, EN ISO 14159 and EHEDG document No. 8, 13, 44 not applied.

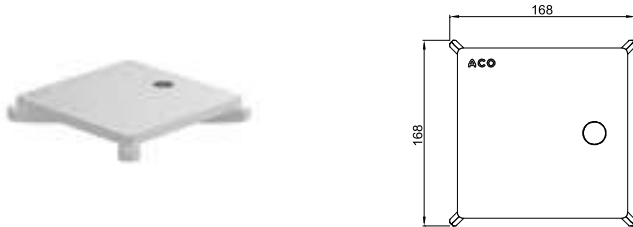
ACO multi-slot 5 grating



Load class	Slip resistant	Material	Item number
L 15	Yes	1.4301	408094 *
		1.4404	408194 *

Note: Surface electropolished

ACO hygienic slot cover



Load class	Slip resistant	Material	Item number
R 50	Yes	1.4301	445780
		1.4404	445781
M 125	Yes	1.4301	445782
		1.4404	445783

Note: Top surface sandblasted

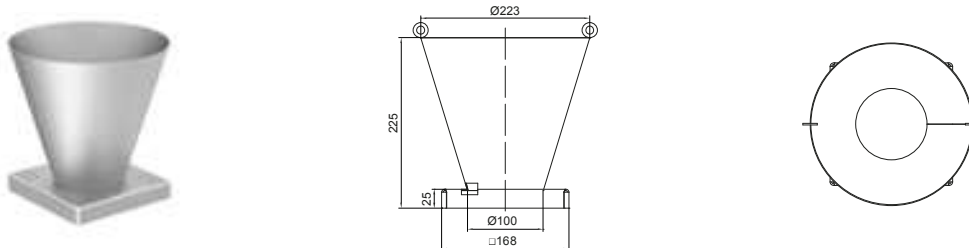
ACO odour proof gully cover



Load class	Slip resistant	Material	Item number
R 50	No	1.4404	445398 *
M 125	No	1.4404	445605 *

For ACO vacuum handle, please go to page 72.

ACO tundish for gully top



Description	Material	Item number
ACO tundish for gully top 200 x 200	1.4301	415918

* Hygienic design following EN 1672, EN ISO 14159 and EHEDG document No. 8, 13, 44 not applied.

Gratings for gully top 250 x 250 mm

Product information

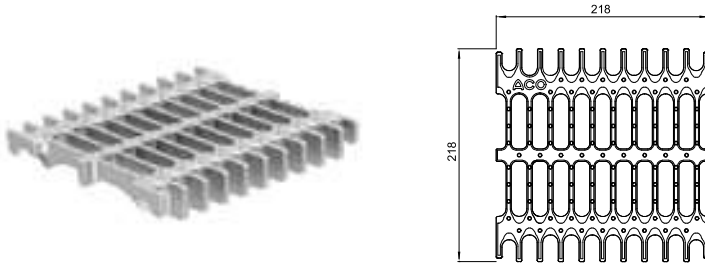
Variety of grate types is available depending on application and requested load class. For applications with high hygienic demands ladder grate or cast grate should be selected.

- Fits to stainless steel gully, fully compliant to EN 1253 and NSF International
- Gully top frame size: 250 x 250 mm
- Range of gratings suitable to load class L 15, R 50, M 125 or N 250 (EN 1253)
- Slip resistant solution available

HygieneFirst features

- Hygienic design following EN 1672, EN ISO 14159 and EHEDG document No. 8, 13 and 44
- Available in 1.4301 (304) or 1.4404 (316L) grades of stainless steel
- Fully pickled and passivated

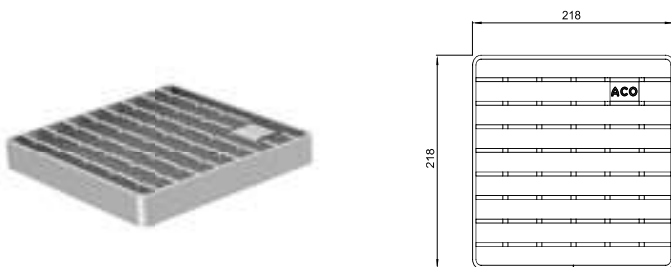
ACO hygienic cast grating



Load class	Slip resistant	Material	Item number
M 125	Yes	1.4301	416943

Note: Surface electropolished

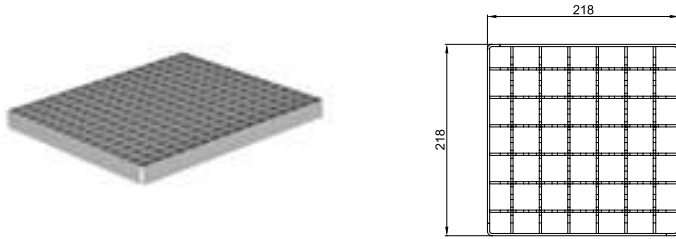
ACO hygienic ladder grating



Load class	Slip resistant	Material	Item number
R 50	Yes	1.4301	416914
		1.4404	416915
M 125	Yes	1.4301	408028
		1.4404	408128
N 250	No	1.4301	408044
		1.4404	408144

Note: Surface electropolished

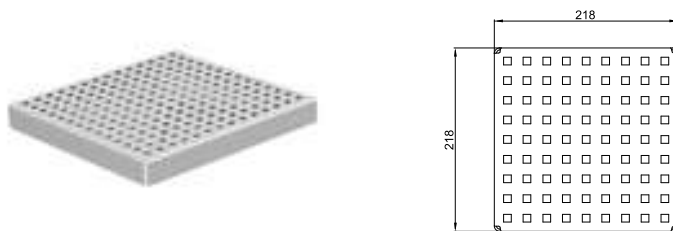
ACO mesh grating



Load class	Slip resistant	Material	Item number
L 15	Yes	1.4301	408095 *
		1.4404	408195 *
	No	1.4301	408096 *
		1.4404	408196 *

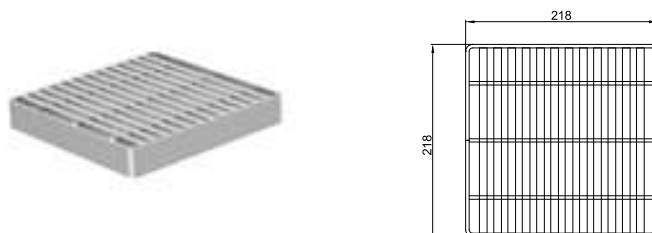
Note: Surface electropolished

ACO quadrato grating



Load class	Slip resistant	Material	Item number
L 15	No	1.4301	408097 *
		1.4404	408197 *

ACO heelsafe grating



Load class	Slip resistant	Material	Item number
L 15	No	1.4301	408031 *
		1.4404	408131 *

* Hygienic design following EN 1672, EN ISO 14159 and EHEDG document No. 8, 13, 44 not applied.

Gratings

Gratings for gully top 250 x 250 mm

ACO multi-slot 5 grating



Load class	Slip resistant	Material	Item number
L 15	Yes	1.4301	408033 *
		1.4404	408133 *

Note: Surface electropolished

ACO hygienic slot cover



Load class	Slip resistant	Material	Item number
R 50	Yes	1.4301	445784
		1.4404	445785
M 125	Yes	1.4301	445786
		1.4404	445787

Note: Top surface sandblasted

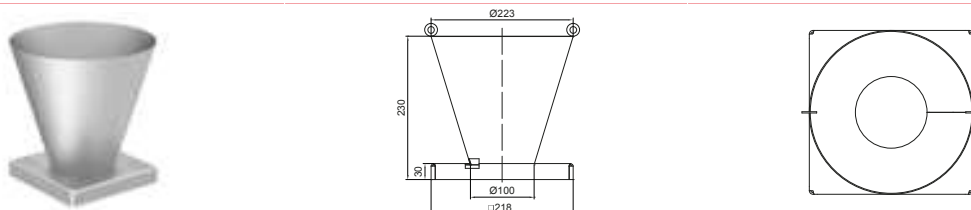
ACO odour proof gully cover



Load class	Slip resistant	Material	Item number
R 50	No	1.4404	445399 *
M 125	No	1.4404	445607 *

For ACO vacuum handle, please go to page 73.

ACO tundish for gully top



Description	Material	Item number
ACO tundish for gully top 250 x 250	1.4301	413546

* Hygienic design following EN 1672, EN ISO 14159 and EHEDG document No. 8, 13, 44 not applied.

Gratings for gully top 300 x 300 mm

Product information

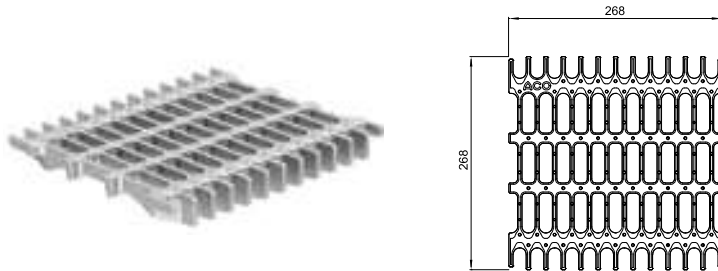
Variety of grate types is available depending on application and requested load class. For applications with high hygienic demands ladder grate or cast grate should be selected.

- Fits to stainless steel gully, fully compliant to EN 1253 and NSF International
- Gully top frame size: 300 x 300 mm
- Range of gratings suitable to load class L 15, R 50, M 125 or N 250 (EN 1253)
- Slip resistant solution available

HygieneFirst features

- Hygienic design following EN 1672, EN ISO 14159 and EHEDG document No. 8, 13 and 44
- Available in 1.4301 (304) or 1.4404 (316L) grades of stainless steel
- Fully pickled and passivated

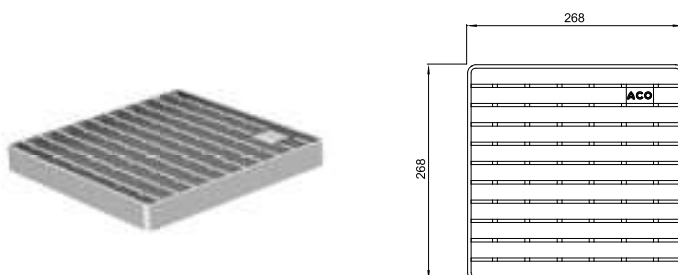
ACO hygienic cast grating



Load class	Slip resistant	Material	Item number
M 125	Yes	1.4301	416944

Note: Surface electropolished

ACO hygienic ladder grating



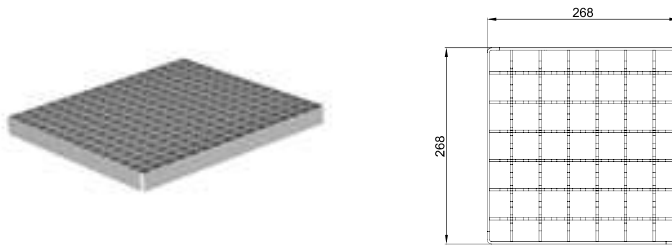
Load class	Slip resistant	Material	Item number
R 50	Yes	1.4301	416916
		1.4404	416917
M 125	Yes	1.4301	408037
		1.4404	408137
N 250	No	1.4301	408045
		1.4404	408145

Note: Surface electropolished

Gratings

Gratings for gully top 300 x 300 mm

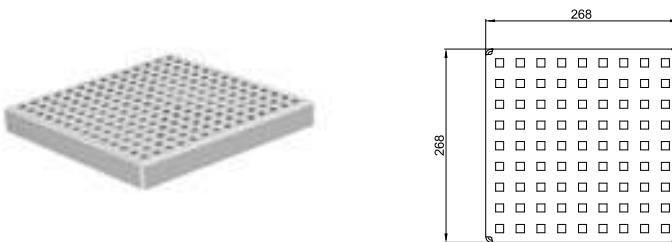
ACO mesh grating



Load class	Slip resistant	Material	Item number
L 15	Yes	1.4301	408034
		1.4404	408134
	No	1.4301	408035 *
		1.4404	408135 *

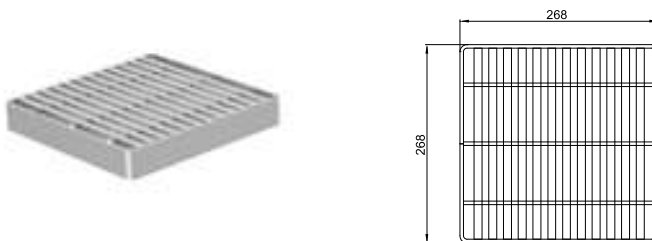
Note: Surface electropolished

ACO quadrato grating



Load class	Slip resistant	Material	Item number
L 15	No	1.4301	408036 *
		1.4404	408136 *

ACO heelsafe grating



Load class	Slip resistant	Material	Item number
L 15	No	1.4301	408040 *
		1.4404	408140 *

* Hygienic design following EN 1672, EN ISO 14159 and EHEDG document No. 8, 13, 44 not applied.

ACO multi-slot 5 grating



Load class	Slip resistant	Material	Item number
L 15	Yes	1.4301	408042 *
		1.4404	408142 *

Note: Surface electropolished

ACO hygienic slot cover



Load class	Slip resistant	Material	Item number
R 50	Yes	1.4301	445788
		1.4404	445789
M 125	Yes	1.4301	445790
		1.4404	445791

Note: Top surface sandblasted

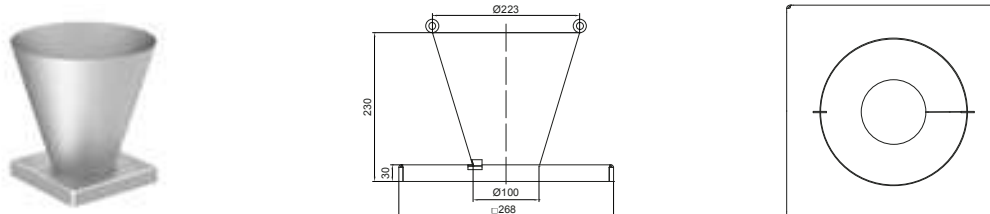
ACO odour proof gully cover



Load class	Slip resistant	Material	Item number
R 50	No	1.4404	445400 *
M 125	No	1.4404	445609 *

For ACO vacuum handle, please go to page 74.

ACO tundish for gully top



Description	Material	Item number
ACO tundish for gully top 300 x 300	1.4301	413547

* Hygienic design following EN 1672, EN ISO 14159 and EHEDG document No. 8, 13, 44 not applied.

Gratings for vinyl top ø170

Product information

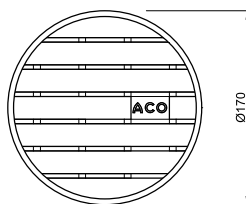
Variety of grate types is available depending on application and requested load class. For applications with high hygienic demands ladder grate or cast grate should be selected.

- Fits to stainless steel gully, fully compliant to EN 1253
- Stainless steel construction for durability and long life
- Range of gratings suitable to load class L 15 and M 125 (EN 1253)
- Slip resistant solution available

HygieneFirst features

- Hygienic design following EN 1672, EN ISO 14159 and EHEDG document No. 8, 13 and 44
- Available in 1.4301 (304) or 1.4404 (316L) grades of stainless steel
- Fully pickled and passivated

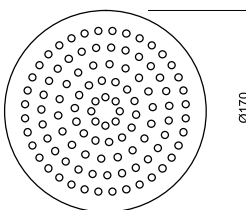
ACO ladder grating



Load class	Slip resistant	Material	Item number
M 125	Yes	1.4301	97146
		1.4404	97367

Note: Surface electropolished

ACO perforated grating



Load class	Slip resistant	Material	Item number
L 15	No	1.4301	97152 *
		1.4404	97369 *

* Hygienic design following EN 1672, EN ISO 14159 and EHEDG document No. 8, 13, 44 not applied.

ACO odour proof gully cover

For ACO odour proof gully cover, please contact our Sales/Technical department.

Gratings for vinyl top ø222

Product information

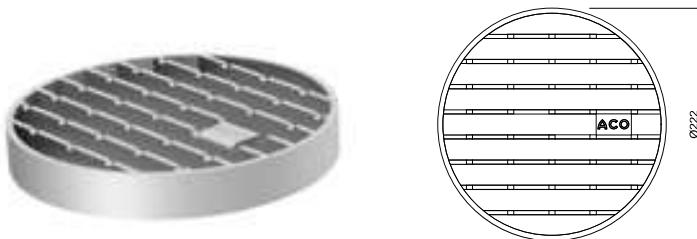
Variety of grate types is available depending on application and requested load class. For applications with high hygienic demands ladder grate or cast grate should be selected.

- Fits to stainless steel gully, fully compliant to EN 1253
- Stainless steel construction for durability and long life
- Range of gratings suitable to load class L 15 and M 125 (EN 1253)
- Slip resistant solution available

HygieneFirst features

- Hygienic design following EN 1672, EN ISO 14159 and EHEDG document No. 8, 13 and 44
- Available in 1.4301 (304) or 1.4404 (316L) grades of stainless steel
- Fully pickled and passivated

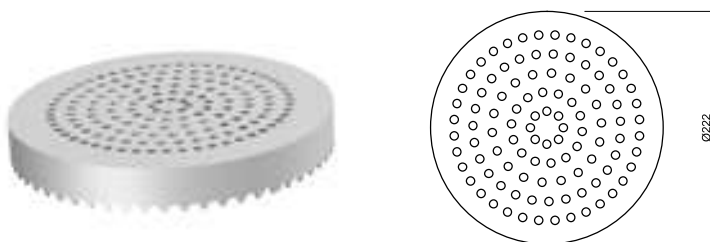
ACO ladder grating



Load class	Slip resistant	Material	Item number
M 125	Yes	1.4301	97148
		1.4404	97388

Note: Surface electropolished

ACO perforated grating



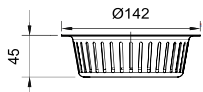

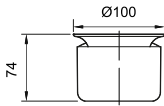

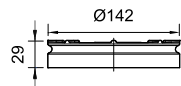
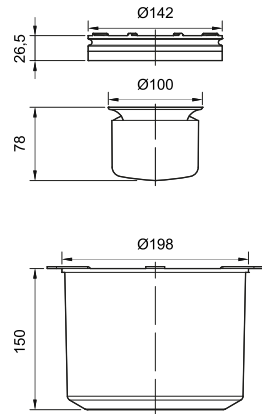
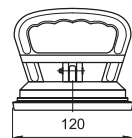
Load class	Slip resistant	Material	Item number
L 15	No	1.4301	97153 *
		1.4404	97390 *

* Hygienic design following EN 1672, EN ISO 14159 and EHEDG document No. 8, 13, 44 not applied.

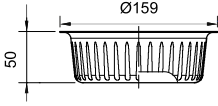

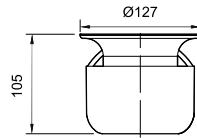
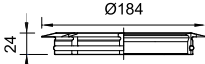

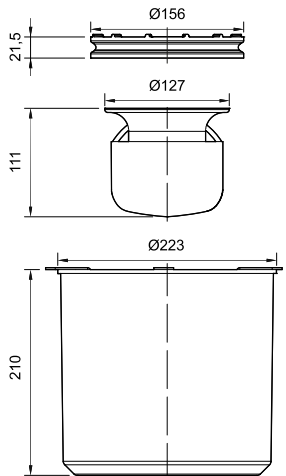
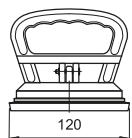
ACO odour proof gully cover

For ACO odour proof gully cover, please contact our Sales/Technical department.

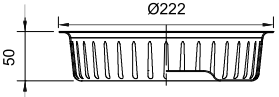
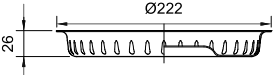
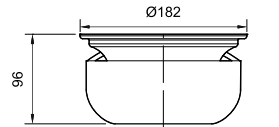
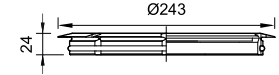
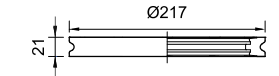
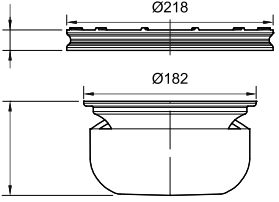
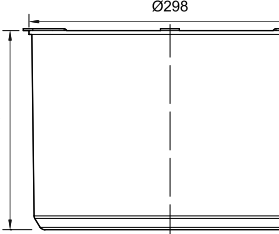
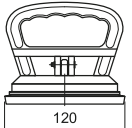
Accessories for ACO hygienic gully 142

	Description	Used with	Material	Item number
	Silt basket ■ Stainless steel ■ 0,4 litre capacity	■ ACO hygienic gully 142 - Telescopic <input type="checkbox"/> Vertical or horizontal	1.4301	416900
			1.4404	416901
	Silt basket ■ Stainless steel ■ 0,3 litre capacity	■ ACO hygienic gully 142 - Fixed height <input type="checkbox"/> Vertical or horizontal	1.4301	416902
			1.4404	416903
	Hygienic foul air trap ■ Stainless steel ■ Water seal 50 mml	■ ACO hygienic gully 142 <input type="checkbox"/> Fixed height <input type="checkbox"/> Telescopic	1.4301	414741
			1.4404	414841
	Friction ring ■ SBR (Styrene-butadiene rubber)	■ ACO hygienic gully 142 <input type="checkbox"/> Telescopic	SBR	414742
	Standard foul air trap support ■ NBR (Acryl nitrile-butadiene rubber)	■ ACO hygienic gully 142 <input type="checkbox"/> Fixed height <input type="checkbox"/> Telescopic	NBR	414743
	ACO fire resistant kit for gully 142/DN 70 <input type="checkbox"/> Fixed height, vertical <input type="checkbox"/> Telescopic, vertical	■ ACO hygienic gully 142 <input type="checkbox"/> Fixed height, vertical <input type="checkbox"/> Telescopic, vertical	1.4404 / NBR	416930
	ACO fire resistant kit for gully 142/DN 100 <input type="checkbox"/> Fixed height, vertical <input type="checkbox"/> Telescopic, vertical	■ ACO hygienic gully 142 <input type="checkbox"/> Fixed height, vertical <input type="checkbox"/> Telescopic, vertical	1.4404 / NBR	416931
	ACO vacuum handle	■ ACO odour proof gully cover	Aluminium	445622

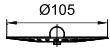
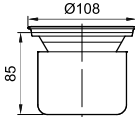
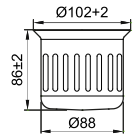
Accessories for ACO hygienic gully 157

	Description	Used with	Material	Item number
	Silt basket ■ Stainless steel ■ 0.6 litre capacity	■ ACO hygienic gully 157 - Vertical <input type="checkbox"/> Fixed height or Telescopic	1.4301	416904
			1.4404	416905
	Silt basket ■ Stainless steel ■ 0,3 litre capacity	■ ACO hygienic gully 157 - Horizontal <input type="checkbox"/> Fixed height or Telescopic	1.4301	416906
			1.4404	416907
	Hygienic foul air trap ■ Stainless steel ■ Water seal 50 mm	■ ACO hygienic gully 157 <input type="checkbox"/> Telescopic	1.4301	408200
			1.4404	408210
	Friction ring ■ SBR (Styrene-butadiene rubber)	■ ACO hygienic gully 157 <input type="checkbox"/> Telescopic	SBR	408205
	Standard foul air trap support ■ NBR (Acryl nitrile-butadiene rubber)	■ ACO hygienic gully 157 <input type="checkbox"/> Fixed height <input type="checkbox"/> Telescopic	NBR	408201
	ACO fire resistant kit for gully 157/DN 70 <input type="checkbox"/> Fixed height, vertical <input type="checkbox"/> Telescopic, vertical	■ ACO hygienic gully 157 <input type="checkbox"/> Fixed height, vertical <input type="checkbox"/> Telescopic, vertical	1.4404 / NBR	416932
	ACO fire resistant kit for gully 157/DN 100 <input type="checkbox"/> Fixed height, vertical <input type="checkbox"/> Telescopic, vertical	■ ACO hygienic gully 157 <input type="checkbox"/> Fixed height, vertical <input type="checkbox"/> Telescopic, vertical	1.4404 / NBR	416933
	ACO vacuum handle	■ ACO odour proof gully cover	Aluminium	445622


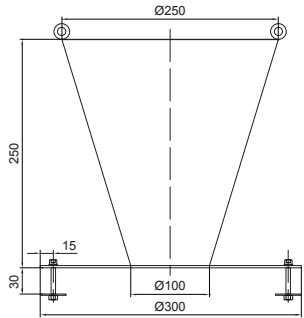
Accessories for ACO hygienic gully 218

	Description	Used with	Material	Item number
	Silt basket ■ Stainless steel ■ 1,4 litre capacity	■ ACO hygienic gully 218 - Vertical <input type="checkbox"/> Fixed height or Telescopic	1.4301	416908
			1.4404	416909
	Silt basket ■ Stainless steel ■ 0,7 litre capacity	■ ACO hygienic gully 218 - Horizontal <input type="checkbox"/> Fixed height or Telescopic	1.4301	416910
			1.4404	416911
	Hygienic foul air trap ■ Stainless steel ■ Water seal 50 mm	■ ACO hygienic gully 218 <input type="checkbox"/> Fixed height <input type="checkbox"/> Telescopic	1.4301	408220
			1.4404	408230
	Friction ring ■ SBR (Styrene-butadiene rubber)	■ ACO hygienic gully 218 <input type="checkbox"/> Telescopic	SBR	408225
	Standard foul air trap support ■ NBR (Acryl nitrile-butadiene rubber)	■ ACO hygienic gully 218 <input type="checkbox"/> Fixed height <input type="checkbox"/> Telescopic	NBR	408221
	ACO fire resistant kit for gully 218/DN 110 <input type="checkbox"/> Fixed height, vertical <input type="checkbox"/> Telescopic, vertical	■ ACO hygienic gully 218 <input type="checkbox"/> Fixed height, vertical <input type="checkbox"/> Telescopic, vertical	1.4404 / NBR	416934
				
	ACO vacuum handle	■ ACO odour proof gully cover	Aluminium	445622

Accessories for ACO gully EG150

	Description	Used with	Material	Item number
	Sieve (for outlet 110 mm) ■ Stainless steel	<ul style="list-style-type: none"> ■ ACO slot channel 20 ■ ACO modular box channel 125 ■ ACO modular box channel 200 ■ ACO modular slot channel 20 	1.4301	97235
			1.4404	97285
	Foul air trap ■ Stainless steel ■ Water seal 50 mm	<ul style="list-style-type: none"> ■ ACO slot channel 20 ■ ACO modular box channel 125 ■ ACO modular box channel 200 ■ ACO modular slot channel 20 	1.4301	97217
			1.4404	97267
	Silt basket ■ Stainless steel	<ul style="list-style-type: none"> ■ ACO slot channel 20 ■ ACO modular box channel 125 ■ ACO modular box channel 200 ■ ACO modular slot channel 20 ■ Don't combine with FAT ■ Suitable with P-Trap (ACO pipe chapter) 	1.4301	409190
			1.4404	409189

ACO tundish portable

		Description	Material	Item number
		ACO tundish portable ■ Stainless steel	1.4301	415821

Flow rates and Construction heights

ACO hygienic gully 142 – fixed height

Outlet diameter	Outlet position	Flow rate [l/s]
ØD	Vertical	A = 135 [mm]
75		1.4
110		1.6

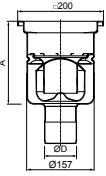
Outlet diameter	Outlet position	Flow rate [l/s]
ØD	Horizontal	A = 135 [mm]
75		1.4
110		1.6

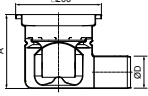
ACO hygienic gully 142 – telescopic

Outlet diameter	Outlet position	Flow rate [l/s]				
ØD	Vertical	A = 52 [mm]	A = 82 [mm]	A = 97 [mm]	A = 127 [mm]	A = 157 [mm]
75		1.4	1.6	1.6	1.7	1.8
110		1.6	1.8	1.8	1.9	2.0

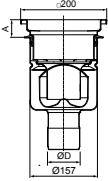
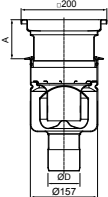
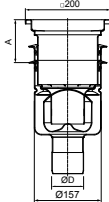
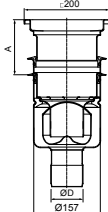
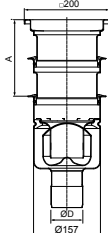
Outlet diameter	Outlet position	Flow rate [l/s]				
ØD	Horizontal	A = 52 [mm]	A = 82 [mm]	A = 97 [mm]	A = 127 [mm]	A = 157 [mm]
75		1.4	1.6	1.6	1.7	1.8
110		1.6	1.8	1.8	1.9	2.0

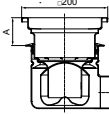
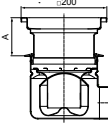
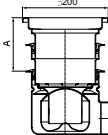
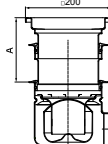
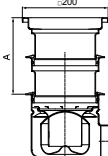
ACO hygienic gully 157 – fixed height

		
Outlet diameter	Outlet position	Flow rate [l/s]
øD	Vertical	A = 193 [mm]
75		2.7
110		3.5

		
Outlet diameter	Outlet position	Flow rate [l/s]
øD	Horizontal	A = 170 [mm]
75		2.6
110		2.8

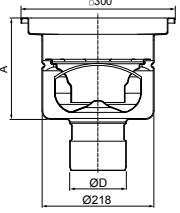
ACO hygienic gully 157 – telescopic

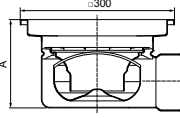
						
Outlet diameter	Outlet position	Flow rate [l/s]				
øD	Vertical	A = 65 [mm]	A = 91 [mm]	A = 125 [mm]	A = 153 [mm]	A = 180 [mm]
75		2.7	3.0	3.0	3.1	3.3
110		3.5	4.0	4.1	4.2	4.4

						
Outlet diameter	Outlet position	Flow rate [l/s]				
øD	Horizontal	A = 52 [mm]	A = 82 [mm]	A = 97 [mm]	A = 127 [mm]	A = 157 [mm]
75		2.6	2.9	3.0	3.1	3.3
110		2.8	3.3	3.6	4.0	4.4

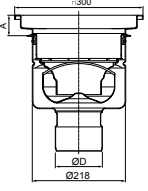
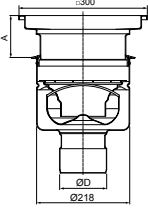
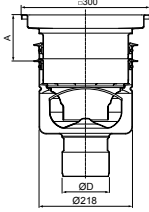
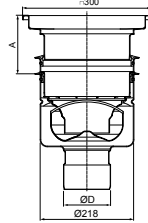
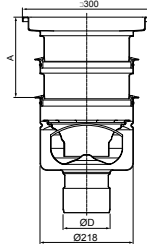
Flow rates and Construction heights

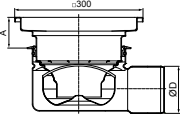
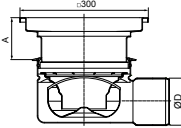
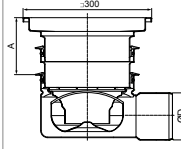
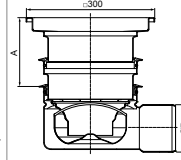
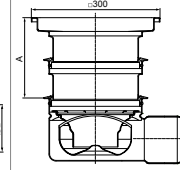
ACO hygienic gully 218 – fixed height

		
Outlet diameter	Outlet position	Flow rate [l/s]
$\varnothing D$		A = 200 [mm]
110	Vertical	5.0
160		5.0

		
Outlet diameter	Outlet position	Flow rate [l/s]
$\varnothing D$		A = 177 [mm]
110	Horizontal	4.4

ACO hygienic gully 218 – telescopic

						
Outlet diameter	Outlet position	Flow rate [l/s]				
$\varnothing D$		A = 65 [mm]	A = 91 [mm]	A = 125 [mm]	A = 153 [mm]	A = 180 [mm]
110	Vertical	5.0	5.5	5.6	5.8	6.2
160		5.0	5.5	5.6	5.8	6.2

						
Outlet diameter	Outlet position	Flow rate [l/s]				
$\varnothing D$		A = 72 [mm]	A = 98 [mm]	A = 132 [mm]	A = 156 [mm]	A = 187 [mm]
110	Horizontal	4.4	4.6	4.8	4.9	5.4

Notes

